

Spektrum Flight Control Board and Power Distribution Board

Instruction Manual
Bedienungsanleitung
Manuel d'utilisation
Manuale di istruzioni

SPMFC3207

IMPORTANT: Consult local laws and ordinances before operating FPV (first person view) equipment. In some areas, FPV operation may be limited or prohibited. You are responsible for operating this product in a legal and responsible manner.

EN

All instructions, warranties and other collateral documents are subject to change at the sole discretion of Horizon Hobby, LLC. For up-to-date product literature, visit horizonhobby.com and click on the support tab for this product.

The following terms are used throughout the product literature to indicate various levels of potential harm when operating this product:

NOTICE: Procedures, which if not properly followed, create a possibility of physical property damage AND a little or no possibility of injury.

CAUTION: Procedures, which if not properly followed, create the probability of physical property damage AND a possibility of serious injury.

WARNING: Procedures, which if not properly followed, create the probability of property damage, collateral damage, and serious injury OR create a high probability of superficial injury.

WARNING: Read the ENTIRE instruction manual to become familiar with the features of the product before operating. Failure to operate the product correctly can result in damage to the product, personal property and cause serious injury.

This is a sophisticated hobby product. It must be operated with caution and common sense and requires some basic mechanical ability. Failure to operate this Product in a safe and responsible manner could result in injury or damage to the product or other property. This product is not intended for use by children without direct adult supervision. Do not attempt disassembly, use with incompatible components or augment product in any way without the approval of Horizon Hobby, LLC. This manual contains instructions for safety, operation and maintenance. It is essential to read and follow all the instructions and warnings in the manual, prior to assembly, setup or use, in order to operate correctly and avoid damage or serious injury.

Age Recommendation: Not for children under 14 years. This is not a toy.

NOTICE: This product is only intended for use with unmanned, hobby-grade, remote-controlled vehicles and aircraft. Horizon Hobby disclaims all liability outside of the intended purpose and will not provide warranty service related thereto.

SPEKTRUM™ 3207 FLIGHT CONTROL BOARD

The Spektrum 3207 Flight Control Board comes pre-loaded with Betaflight and has been configured to use the Spektrum SPM4649T serial receiver with Telemetry.

IMPORTANT: The ESC connections require basic soldering skills to complete installation.

IMPORTANT: The warranty does not cover damage from soldering, static or from reverse polarity.

WARNING: This board does not have reverse polarity protection. Any reverse polarity will destroy the board and any connected peripherals.

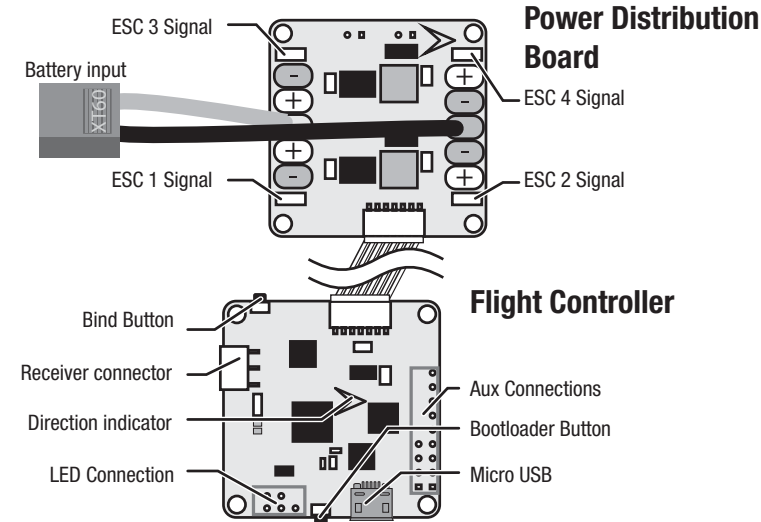
WARNING: This board is a static sensitive device. Use caution when handling and make sure to follow proper anti static procedures.

This product uses Betaflight Third Party Software in portions of its coding.

For more information on Betaflight Software, please visit: <https://github.com/betaflight/betaflight/wiki>

THIRD PARTY SOFTWARE This product may include code developed by one or more third parties ("Third Party Software"). Some Third Party Software may be subject to other terms and conditions that may be available for download with the product documentation. Notwithstanding the terms and conditions of this Agreement, the Third Party Software is licensed to you subject to the terms and conditions of the software license agreement identified in the open source software disclosure. If the third party terms and conditions include licenses that provide for the availability of source code (such as the GNU General Public License), the open source software disclosure or the media on which the software may be delivered will provide instructions where a copy of such source code can be obtained.

| | SPECIFICATION |
|----------------|---------------------------------------|
| Input Voltage | 7-18 volts |
| Output Voltage | 5V and 12v Aux Rails |
| Weight | 19g |
| Size | 36 x 36mm (30.5 x 30.5mm mounting) |



RECEIVER INSTALLATION

- Connect the receiver connector to the SPM4649T serial receiver with a SPM9010 cable. The board comes pre configured for the SPM4649T serial receiver. Do not use a 3.3V serial receiver.
- The cable from the Power Distribution Board includes both ESC signals and 5V power for the Flight Controller and receiver.

Binding

Press the Bind button on the flight controller while connecting a battery to put the receiver in bind mode.

ASSEMBLY

The SPMVX180 standoff set is recommended to assemble the Flight controller and Power Distribution Board. Mount the flight controller and Power Distribution Board with the arrow on the board pointed forward.

Tip: Ensure the board is mounted flat and level to the airframe for proper performance

ESC INSTALLATION

Power and signal wires for the ESCs need to be soldered to the appropriate locations on the Power Distribution Board. A battery lead with an XT60 comes pre-installed on the Power Distribution Board.

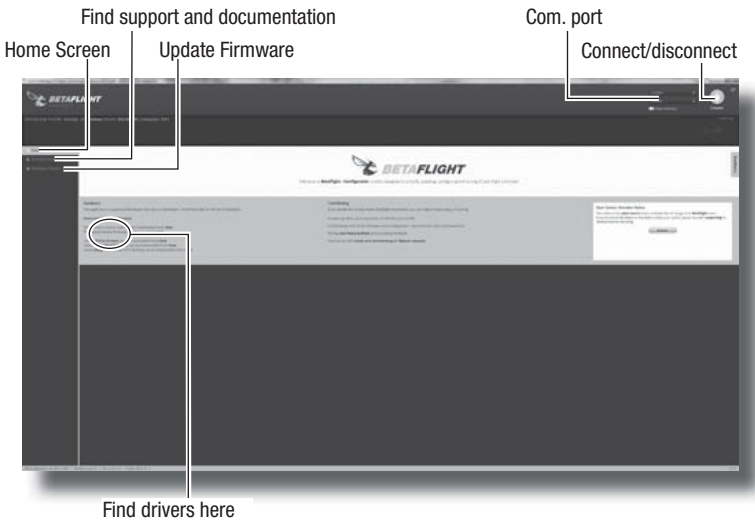
- Cut the ESC power and signal wires to the correct length to fit the frame
- Solder the positive power wires to the positive solder pads and the negative wires to the negative solder pads
- Solder the ECS signal wires to the corresponding locations on the Power Distribution Board (see diagram)

IMPORTANT: Confirm the polarity of all wiring before connecting to power.

WARNING: All motors should have the propellers removed before any power is fed to the board. All propellers should remain off during installation and programming.

BETAFLIGHT INSTALLATION

All screens are accurate at time of printing. Future versions of Betaflight will likely be different. Refer to the support tab within Betaflight and our resource section for the most up to date information.



The Betaflight configurator is an open source Google Chrome Application that can be found in the Google Chrome Web Store.

Installation:

- From the Google Chrome Web Store, search for Betaflight Configurator. Install and run the App from within Google Chrome. Betaflight is compatible with any operating system capable of running Google Chrome.
- Download the driver required to allow Betaflight to communicate with the Flight Control Board over USB. The driver can be found by following the link on the main page of Betaflight shown above:

IMPORTANT: Betaflight will need to be restarted and in some cases the operating system may need to be restarted for the drivers to take effect.

- Connect the Spektrum FC3207 Flight Control Board to a micro USB cord and then connect to the computer.

IMPORTANT: A USB charge only cord will not work. It must be capable of transferring data.

- Make sure the correct port is selected and push the Connect button. For future connections, click on Auto-Connect to automatically connect every time the board is connected.

FIRMWARE UPDATE

Before using the Spektrum FC3207 Flight Control Board, you must first update the firmware.

To update:

- Click on "Disconnect" if the board is already connected. Do not unplug the board from the computer at this time.
- Go to the Firmware tab on the Betaflight main screen.
- In the "Choose a Firmware/Board" drop down menu choose the newest stable SPRF3 update.
- Download the Firmware by clicking the "Load Firmware [Online]" button at the bottom of the screen.
- Once downloaded, click on the "Flash Firmware" button at the bottom of the screen. Let the updater work without disturbing the board. When the progress bar shows "Programming: Successful" it is now safe to disconnect or go on to programming the board.

IMPORTANT: Flashing the Firmware will erase all content on the board. Always have a back up saved to your local hard drive. To back up the board, go to the Setup tab and click on Backup.

BASIC PROGRAMMING

The Spektrum FC3207 Flight Control Board comes pre configured to use the Spektrum SPM4649T serial telemetry receiver. To finish the basic setup, follow these steps.

BASIC PROGRAMMING-CONTINUED

IMPORTANT: Not all options or settings will be discussed in this manual.

- Setup:** The Setup Screen is the first screen that appears once the board has successfully connected to Betaflight. It has a real time graphical representation of the boards orientation and is where back up/restore of a model takes place.
- Configuration:** In the Mixer section, "Quad X" is the default configuration. Note the number and direction of each motor. In the Receiver Mode section select RX_SERIAL if using the Spektrum 4649T receiver.
- Failsafe:** Use the default settings to get started
- PID tuning:** Use the default settings to get started.

TIP: PID Tuning directly effects the quality of flight from the aircraft. There are great resources on the internet to help with understanding PID tuning. Several resources are listed in the RESOURCES section below.

IMPORTANT: Perform a Back up before changing PID values.

- Receiver:** Use this tab to monitor output direction from the receiver and to set expo, deadband and rate.
- Modes:** Use this tab to setup switch assignments such as ARM, ANGLE and HORIZON modes.
- Motors:** Use this tab to test output and direction of all or selected motors.

WARNING: All motors should have the propellers removed. Moving the sliders in the Motors screen will cause the motors to spin up.

TEST FLIGHT

Once all programing is complete and the model is assembled, it is important to test fly the aircraft.

If you have not calibrated the Accelerometer, now is a good time. With the board connected to Betaflight and the aircraft sitting on a level surface, go to the setup tab and click the "Calibrate Accelerometer" button.

- Test the aircraft in a safe environment away from people or animals.
- After confirming the rotor blades rotate in the correct direction, test the motor response controls.
- Adjust the throttle to a low level of power where the aircraft begins to get "light" on its landing skids.
- Move the rudder stick a small amount to the right. The nose of the quadcopter should start to rotate to the right (clockwise).
- Move the rudder stick a small amount to the left. The nose of the quadcopter should start to rotate to the left (counter-clockwise).
- Move the elevator control stick forward. The REAR should lift from the floor.
- Move the elevator control stick backward. The FRONT should lift from the floor.
- Move the aileron stick right. The LEFT side should lift from the floor.
- Move the aileron stick left. The RIGHT side should lift from the floor.
- Keep note of any changes that need to be made to the programming.
- ALWAYS REMOVE THE PROPELLERS WHEN MAKING CHANGES TO THE PROGRAMMING.**
- When rotors turn correctly and respond correctly to controls, the aircraft is ready for its first flight!

RESOURCES

For even more information, check out some of these links below:

- <https://www.spektrumrc.com/>
- <https://github.com/betaflight>
- <https://github.com/cleanflight/cleanflight/blob/master/docs/PID%20tuning.md>
- https://en.wikipedia.org/wiki/PID_controller

1-YEAR LIMITED WARRANTY

What this Warranty Covers - Horizon Hobby, LLC, (Horizon) warrants to the original purchaser that the product purchased (the "Product") will be free from defects in materials and workmanship for a period of 1 year from the date of purchase.

What is Not Covered - This warranty is not transferable and does not cover (i) cosmetic damage, (ii) damage due to acts of God, accident, misuse, abuse, negligence, commercial use, or due to improper use, installation, operation or maintenance, (iii) modification of or to any part of the Product, (iv) attempted service by anyone other than a Horizon Hobby authorized service center, (v) Product not purchased from an authorized Horizon dealer, (vi) Product not compliant with applicable technical regulations, or (vii) use that violates any applicable laws, rules, or regulations.

OTHER THAN THE EXPRESS WARRANTY ABOVE, HORIZON MAKES NO OTHER WARRANTY OR REPRESENTATION, AND HEREBY DISCLAIMS ANY AND ALL IMPLIED WARRANTIES, INCLUDING, WITHOUT LIMITATION, THE IMPLIED WARRANTIES OF NON-INFRINGEMENT, MERCHANTABILITY AND FITNESS FOR A PARTICULAR PURPOSE. THE PURCHASER ACKNOWLEDGES THAT THEY ALONE HAVE DETERMINED THAT THE PRODUCT WILL SUITABLY MEET THE REQUIREMENTS OF THE PURCHASER'S INTENDED USE.

Purchaser's Remedy - Horizon's sole obligation and purchaser's sole and exclusive remedy shall be that Horizon will, at its option, either (i) service, or (ii) replace, any Product determined by Horizon to be defective. Horizon reserves the right to inspect any and all Product(s) involved in a warranty claim. Service or replacement decisions are at the sole discretion of Horizon. Proof of purchase is required for all warranty claims. SERVICE OR REPLACEMENT AS PROVIDED UNDER THIS WARRANTY IS THE PURCHASER'S SOLE AND EXCLUSIVE REMEDY.

Limitation of Liability - HORIZON SHALL NOT BE LIABLE FOR SPECIAL, INDIRECT, INCIDENTAL OR CONSEQUENTIAL DAMAGES, LOSS OF PROFITS OR PRODUCTION OR COMMERCIAL LOSS IN ANY WAY, REGARDLESS OF WHETHER SUCH CLAIM IS BASED IN CONTRACT, WARRANTY, TORT, NEGLIGENCE, STRICT LIABILITY OR ANY OTHER THEORY OF LIABILITY, EVEN IF HORIZON HAS BEEN ADVISED OF THE POSSIBILITY OF SUCH DAMAGES. Further, in no event shall the liability of Horizon exceed the individual price of the Product on which liability is asserted. As Horizon has no control over use, setup, final assembly, modification or misuse, no liability shall be assumed nor accepted for any resulting damage or injury. By the act of use, setup or assembly, the user accepts all resulting liability. If you as the purchaser or user are not prepared to accept the liability associated with the use of the Product, purchaser is advised to return the Product immediately in new and unused condition to the place of purchase.

Law - These terms are governed by Illinois law (without regard to conflict of law principals). This warranty gives you specific legal rights, and you may also have other rights which vary from state to state. Horizon reserves the right to change or modify this warranty at any time without notice.

WARRANTY SERVICES

Questions, Assistance, and Services - Your local hobby store and/or place of purchase cannot provide warranty support or service. Once assembly, setup or use of the Product has been started, you must contact your local distributor or Horizon directly. This will enable Horizon to better answer your questions and service you in the event that you may need any assistance. For questions or assistance, please visit our website at horizonhobby.com, submit an inquiry to productsupport@horizonhobby.com or call the toll-free telephone number referenced in the Warranty and Service Contact Information section to speak with a Product Support representative.

Inspection or Services - If this Product needs to be inspected or serviced and is compliant in the country you live and use the Product in, please use the Horizon Online Service Request submission process found on our website or call Horizon to obtain a Return Merchandise Authorization (RMA) number. Pack the Product securely

using a shipping carton. Please note that original boxes may be included, but are not designed to withstand the rigors of shipping without additional protection. Ship via a carrier that provides tracking and insurance for lost or damaged parcels, as Horizon is not responsible for merchandise until it arrives and is accepted at our facility. An Online Service Request is available at http://www.horizonhobby.com/content/service-center_render-service-center. If you do not have internet access, please contact Horizon Product Support to obtain a RMA number along with instructions for submitting your product for service. When calling Horizon, you will be asked to provide your complete name, street address, email address and phone number where you can be reached during business hours. When sending product into Horizon, please include your RMA number, a list of the included items, and a brief summary of the problem. A copy of your original sales receipt must be included for warranty consideration. Be sure your name, address, and RMA number are clearly written on the outside of the shipping carton.

Provided warranty conditions have been met, your Product will be serviced or replaced free of charge. Service or replacement decisions are at the sole discretion of Horizon.

NOTICE: Do not ship LiPo batteries to Horizon. If you have any issue with a LiPo battery, please contact the appropriate Horizon Product Support office. Warranty Requirements - For Warranty consideration, you must include your original sales receipt verifying the proof-of-purchase date.

Non-Warranty Service - Should your service not be covered by warranty, service will be completed and payment will be required without notification or estimate of the expense unless the expense exceeds 50% of the retail purchase cost. By submitting the item for service you are agreeing to payment of the service without notification. Service estimates are available upon request. You must include this request with your item submitted for service. Non-warranty service estimates will be billed a minimum of ½ hour of labor. In addition you will be billed for return freight. Horizon accepts money orders and cashier's checks, as well as Visa, MasterCard, American Express, and Discover cards. By submitting any item to Horizon for service, you are agreeing to Horizon's Terms and Conditions found on our website http://www.horizonhobby.com/content/service-center_render-service-center.

ATTENTION: Horizon service is limited to Product compliant in the country of use and ownership. If received, a non-compliant Product will not be serviced. Further, the sender will be responsible for arranging return shipment of the un-serviced Product, through a carrier of the sender's choice and at the sender's expense. Horizon will hold non-compliant Product for a period of 60 days from notification, after which it will be discarded.

| WARRANTY AND SERVICE CONTACT INFORMATION | | | |
|--|--|--|---|
| Country of Purchase | Horizon Hobby | Contact Information | Address |
| United States of America | Horizon Service Center (Repairs and Repair Requests) | servicecenter.horizonhobby.com/RequestForm/ | 4105 Fieldstone Rd Champaign, Illinois, 61822 USA |
| | Horizon Product Support (Product Technical Assistance) | productsupport@horizonhobby.com 877-504-0233 | |
| | Sales | websales@horizonhobby.com 800-338-4639 | |
| European Union | Horizon Technischer Service Sales: Horizon Hobby GmbH | service@horizonhobby.eu +49 (0) 4121 2655 100 | Hanskampring 9 D 22885 Barsbüttel, Germany |

CE EU Compliance Statement: Horizon Hobby, LLC hereby declares that this product is in compliance with the essential requirements and other relevant provisions of the and EMC directive.

A copy of the EU Declaration of Conformity is available online at: <http://www.horizonhobby.com/content/support-render-compliance>.



Instructions for disposal of WEEE by users in the European Union

This product must not be disposed of with other waste. Instead, it is the user's responsibility to dispose of their waste equipment by handing it over to a designated collections point for the recycling of waste electrical and electronic equipment. The separate collection and recycling of your waste equipment at the time of disposal will help to conserve natural resources and ensure that it is recycled in a manner that protects human health and the environment. For more information about where you can drop off your waste equipment

for recycling, please contact your local city office, your household waste disposal service or where you purchased the product.



| DE |
|---|
| HINWEIS |
| Alle Anweisungen, Garantien und anderen zugehörigen Dokumente können im eigenen Ermessen von Horizon Hobby, LLC jederzeit geändert werden. Die aktuelle Produktliteratur finden Sie auf horizonhobby.com unter der Registerkarte „Support“ für das betreffende Produkt. |

| Spezielle Bedeutungen |
|---|
| Die folgenden Begriffe werden in der gesamten Produktliteratur verwendet, um auf unterschiedlich hohe Gefahrenrisiken beim Betrieb dieses Produkts hinzuweisen: <p>HINWEIS: Wenn diese Verfahren nicht korrekt befolgt werden, können sich möglicherweise Sachschäden UND geringe oder keine Gefahr von Verletzungen ergeben.</p> <p>ACHTUNG: Wenn diese Verfahren nicht korrekt befolgt werden, ergeben sich wahrscheinlich Sachschäden UND die Gefahr von schweren Verletzungen.</p> <p>WARNUNG: Wenn diese Verfahren nicht korrekt befolgt werden, ergeben sich wahrscheinlich Sachschäden, Kollateralschäden und schwere Verletzungen ODER mit hoher Wahrscheinlichkeit oberflächliche Verletzungen.</p> |

⚠️ WARNUNG: Lesen Sie die GESAMTE Bedienungsanleitung, um sich vor dem Betrieb mit den Produktfunktionen vertraut zu machen. Wird das Produkt nicht korrekt betrieben, kann dies zu Schäden am Produkt oder persönlichem Eigentum führen oder schwere Verletzungen verursachen.

Dies ist ein hochentwickeltes Hobby-Produkt. Es muss mit Vorsicht und gesundem Menschenverstand betrieben werden und benötigt gewisse mechanische Grundfähigkeiten. Wird dieses Produkt nicht auf eine sichere und verantwortungsvolle Weise betrieben, kann dies zu Verletzungen oder Schäden am Produkt oder anderen Sachwerten führen. Dieses Produkt eignet sich nicht für die Verwendung durch Kinder ohne direkte Überwachung eines Erwachsenen. Versuchen Sie nicht ohne Genehmigung durch Horizon Hobby, LLC, das Produkt zu zerlegen, es mit inkompatiblen Komponenten zu verwenden oder auf jegliche Weise zu erweitern. Diese Bedienungsanleitung enthält Anweisungen für Sicherheit, Betrieb und Wartung. Es ist unbedingt notwendig, vor Zusammenbau, Einrichtung oder Verwendung alle Anweisungen und Warnhinweise im Handbuch zu lesen und zu befolgen, damit es bestimmungsgemäß betrieben werden kann und Schäden oder schwere Verletzungen vermieden werden.

Nicht geeignet für Kinder unter 14 Jahren. Dies ist kein Spielzeug.

HINWEIS: Dieses Produkt ist ausschließlich für die Verwendung in unbemannten, ferngesteuerten Fahrzeugen und Fluggeräten im Hobbybereich vorgese-hen. Horizon Hobby lehnt jede Haftung und Garantieleistung ausserhalb der vorgesehen Verwendung ab.

WICHTIG: Bitte beachten Sie lokale Vorschriften und Gesetze bevor Sie FPV Ausrüstung in Betrieb nehmen. Sie sind alleine dafür verantwortlich das Produkt in legaler und verantwortlicher Weise zu nutzen.

SPEKTRUM™ FCM300 FLIGHT CONTROL BOARD

Die Spektrum FCM300-Flugsteuerung kommt mit Betaflight und ist für den Einsatz mit dem seriellen Spektrum SPM4649T-Telemetrie-Empfänger konfiguriert.

WICHTIG: Für die Verbindung mit dem Geschwindigkeitsregler sind bei der Installation einfache Lötfertigkeiten erforderlich.

WICHTIG: Die Garantie deckt keine Schäden aufgrund einer fehlerhaften Lötung, Statik oder verkehrter Polarität.

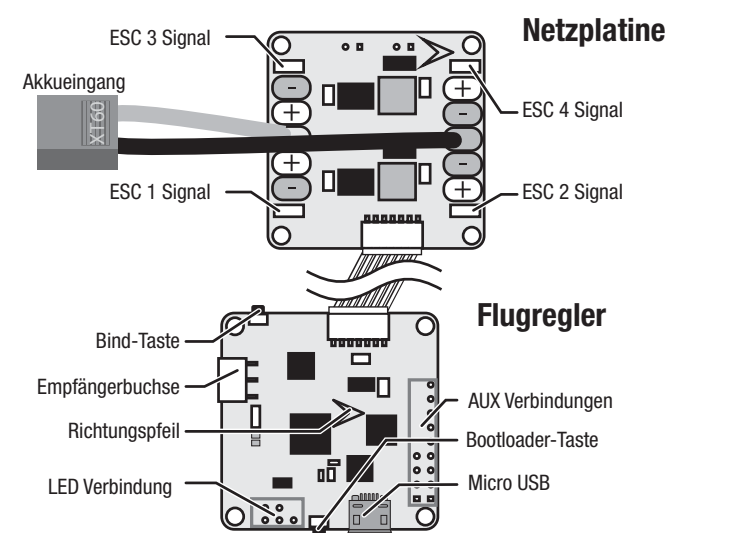
⚠️ WARNUNG: Diese Platine ist nicht mit einem Verpolungsschutz ausgestattet. Jede Verpolung wird die Platine und die angeschlossenen Bauteile zerstören.

⚠️ WARNUNG: Diese Platine ist empfindlich gegenüber statischer Aufladung. Bitte sein Sie bei der Handhabung vorsichtig und folgen den Anweisungen und Vorkehrungen gegen statischer Aufladung.

Dieses Produkt verwendet teilweise Betaflight-Fremdsoftware für seine Codierung. Weitere Informationen zur Betaflight-Software finden Sie unter: <https://github.com/betaflight/betaflight/wiki>.

FREMDSOFTWARE. Dieses Produkt kann Code umfassen, der von einem oder mehreren Dritten entwickelt wurde („Fremdsoftware“). Einige Fremdsoftware kann anderen Geschäftsbedingungen unterliegen, die mit der Produktdokumentation für den Download verfügbar sein können. Unabhängig von den Geschäftsbedin-gungen dieser Vereinbarung wird Ihnen die Fremdsoftware gemäß den Geschäftsbedingungen der in der Open-Source-Softwareweitergabe identifizierten Software-Lizenzvereinbarung lizenziert. Falls die Geschäftsbedingungen Dritter Lizenzen umfassen, die eine Verfügbarkeit des Quellcodes (wie die GNU General Public License) bereitstellen, so kann die Open-Source-Softwareweitergabe oder das Medium, auf dem die Software zu finden sein kann, Anweisungen bereitstellen, wo eine Kopie derartiger Quellcodes erhältlich sein könnte.

| | Spezifikation |
|------------------|------------------------------------|
| Eingangsspannung | 7-18V |
| Ausgangsspannung | 5V und 12v Aux Rails |
| Gewicht | 19g |
| Abmessungen | 36 x 36mm (30.5 x 30.5mm mounting) |



INSTALLATION DES EMPFÄNGERS

- Die Flugsteuerung über ein SPM9010-Kabel mit dem seriellen SPM4649T-Empfänger verbinden. Die Flugsteuerung ist für den seriellen SPM4649T-Empfänger vorkonfiguriert. Keinen seriellen 3,3 V-Empfänger verwenden.
- Das Kabel vom 4-in-1-Geschwindigkeitsregler leitet sowohl die Signale des Geschwindigkeitsreglers und des 5-V-Antriebs zur Flugsteuerung und zum Empfänger weiter.

Bindung

Beim Anschluss eines Akkus die Taste für den Bindungsmodus am Flugregler drücken, um den Empfänger in den Bindungsmodus zu versetzen.

ZUSAMMENBAU

Der Abstandhaltersatz SPMVX180 wird empfohlen, um Flugregler und Netzplatine aufzubauen. Installieren Sie den Flugregler und die Netzplatine so, dass der Pfeil auf der Platine nach vorne gerichtet ist.

TIPP: Stellen Sie sicher, dass die Platine flach zum Rahmen montiert ist, um die ordnungsgemäße Funktion zu gewährleisten.

INSTALLATION DER REGLER

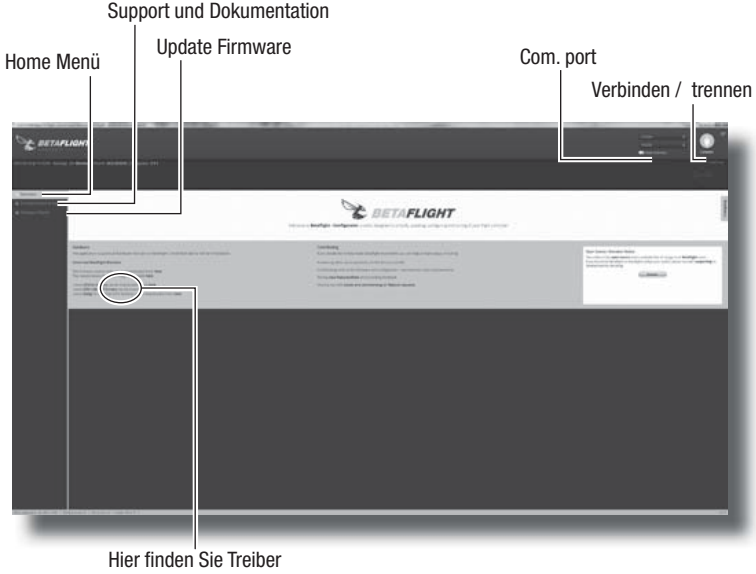
Netz- und Signalkabel der Regler müssen an den entsprechenden Stellen auf der Netzplatine ange-lötet werden. Ein Akkukabel mit XT60 Buchse ist auf der Netzplatine vorinstalliert.

- Schneiden Sie die Netz- und Signalkabel der Regler auf die richtige Länge, damit sie in den Trägerrah-men passen.
- Löten Sie die positiven Netzkabel an den positiven Lötunkten an und die negativen Netzkabel an den negativen Lötunkten.
- Löten Sie die Signalkabel der Regler an den entsprechenden Lötunkten auf der Netzplatine an (s. Diagramm).

Hinweis: Vor dem Einschalten der Stromversorgung auf die korrekte Polarität der gesamten Verkabelung achten.

INSTALLATION DES BETAFLIGHT PROGRAMMS

Die Bilder zeigen die Version zum Zeitpunkt der Drucklegung. Spätere Versionen können von dieser etwas abweichen. Bitte sehen Sie unter dem Suport Reiter für weitere aktuelle Informationen nach.



Betaflight Configurator ist eine Open-Source-Anwendung von Google Chrome, die im Google Chrome Web Store heruntergeladen werden kann.

Montage:

- Im Google Chrome Web Store nach Betaflight Configurator suchen. Die Anwendung installieren und in Google Chrome öffnen. Betaflight ist mit jedem Betriebssystem kompatibel, das Google Chrome ausführen kann.
- Den Treiber für die USB-Verbindung zwischen Betaflight und der Flugsteuerung herunterladen. Der Treiber befindet sich unter dem folgenden Link auf der Hauptseite der oben abgebildeten Betaflight-Anwendung.

WICHTIG: Betaflight muss neu gestartet werden, und in manchen Fällen muss das Betriebssystem neu gestartet werden, damit der Treiber ausgeführt werden kann.

- Die Spektrum SPMFCM300-Flugsteuerung mit einem Mikro-USB-Kabel und dann mit dem Computer verbinden.

WICHTIG: Ein USB-Ladekabel allein reicht nicht aus. Das USB-Kabel muss in der Lage sein, Daten zu übertragen.

- Darauf achten, dass der richtige Anschluss ausgewählt wird. Anschließend die Taste „Verbinden“ drücken. Bei zukünftigen Verbindungen auf „Automatisch verbinden“ klicken, um automatisch eine Verbindung herzustellen, wenn die Steuerung angeschlossen wird.

FIRMWARE UPDATE

Vor Inbetriebnahme des Spektrum 32 Flight Controll Boards müssen Sie die Firmware updaten.

Update:

- Klicken Sie auf Disconnect (Trennen) falls die Platine bereits verbunden ist. **TRENNEN SIE NICHT** die Verbindung zum Rechner.
- Gehen Sie zum Firmware Reiter im Betaflight Hauptmenü.
- Wählen Sie unter “Choose am Firmware/ Board” Auswahlmenü das neueste SPRF3 Update.
- Führen Sie den Download der Firmware mit Klick auf den Load Firmware Online Button unten im Menü aus.
- Klicken Sie nach dem Download auf den Flash Firmware Button unten im Menü.
- Lassen Sie den Updater in Ruhe arbeiten. Zeigt der Balken Programm **SUCCESSFUL** an können Sie die Verbindung sicher trennen

WICHTIG: Das Flashen der Firmware löscht alle vorherigen Programmierungen auf dem Board. Speichern Sie deshalb immer eine Kopie (Backup) auf ihrem Laufwerk und klicken dann bei Bedarf auf Backup.

PROGRAMMIERUNG GRUNDEINSTELLUNG

Die Spektrum 3207 Flight Control Platine ist für die Verwendung mit dem Spektrum Remote Emp-fänger (SPM4649T) bereits vorprogrammiert.

WICHTIG: In dieser Anleitung werden nicht alle Optionen und Einstellungen behandelt. Weitere Informationen finden sich auf der Website Betaflight Wiki im Abschnitt „Ressourcen“.

- Konfiguration:** Die Konfigurationsseite ist die erste Seite, die angezeigt wird, sobald die Flugsteuerung korrekt mit Betaflight verbunden worden ist. Betaflight verfügt über eine grafische Darstellung der Flugsteuerung in Echtzeit. In dieser kann eine Sicherungskopie/Wiederherstel-ung des Modells durchgeführt werden.
- Konfiguration:** Im Abschnitt „Mischer“ ist „Quad X“ die Standardkonfiguration. Die Nummer und Richtung jedes Motors notieren. Im Abschnitt „Empfängermodus“ RX_SERIAL auswählen, wenn der Spektrum 4649T-Empfänger verwendet wird.
- Failsafe:** Zu Anfang die Standardeinstellungen verwenden
- PID-Tuning:** Zu Anfang die Standardeinstellungen verwenden.

TIPP: Das PID-Tuning beeinflusst die Flugqualität des Flugzeugs direkt. Im Internet finden sich hervorragende Ressourcen zum PID-Tuning. Im Abschnitt RESSOURCEN sind einige Ressourcen aufgeführt.

PROGRAMMIERUNG GRUNDEINSTELLUNG FORTSETZUNG

WICHTIG: Eine Sicherungskopie erstellen, ehe die PID-Werte geändert werden.

- Empfänger:** Über diesen Reiter kann die Ausgangsrichtung des Empfängers überwacht und Exponentialwert, Totband und Frequenz eingerichtet werden.
- Modi:** Über diesen Reiter können Zuweisungen wie ARM-, WINKEL- und HORIZON-Modus programmiert werden.
- Motoren:** Über diesen Reiter können Ausgangsleistung und Richtung aller oder ausgewählter Motoren überprüft werden.

⚠️ WARNUNG: Die Propeller müssen bei allen Motoren demontiert werden. Wenn die Schieberegler auf der Seite „Motoren“ verschoben werden, starten die Motoren.

TESTFLUG

Habe Sie das Modell zusammengebaut und die Programmierungen durchgeführt ist es wichtig einen Testflug durch zu führen.

- Sollten Sie die Accelerometer (Beschleunigungssensoren) noch nicht kalibriert haben ist jetzt eine gute Gelegenheit.
- Der Copter sollte dazu mit an Betaflight angeschlossener Platine auf einer ebenen Fläche stehen. Klicken Sie auf den Calibrate Accelerometer Button.
 - Testen Sie den Copter in einer sicheren Umgebung weit weg von Menschen und Tieren.
 - Testen Sie zuerst die Motordrehrichtung und dann die Reaktion.
 - Geben Sie etwas Gas bis der Copter leicht auf den Kufen wird.
 - Bewegen Sie den Gier (Seitenruder) Stick etwas nach rechts. Die Nase des Copters sollte dabei nach rechts (im Uhrzeigersinn) drehen.
 - Bewegen Sie den Gier (Seitenruder) Stick etwas nach links. Die Nase des Copters sollte dabei nach links(gegen den Uhrzeigersinn) drehen.
 - Bewegen Sie den Höhenruder/Nicken Stick nach vorne. Das Heck des Copters sollte etwas abheben.
 - Bewegen Sie den Höhenruder/Nicken Stick nach hinten. Die Front des Copters sollte etwas abheben.
 - Bewegen Sie den Roll/Querruder Stick etwas nach rechts. Die linke Seite des Copters sollte abheben.
 - Bewegen Sie den Roll/Querruder Stick etwas nach links. Die rechte Seite des Copters sollte abheben.
 - NEHMEN SIE IMMER DIE PROPELLER AB WENN SIE ÄNDERUNGEN IN DER PROGRAMMIER-UNG DURCHFÜHREN.**
 - Machen Sie sich Notizen über alle Änderungen in der Programmierung.

WEITERE INFORMATIONEN

für weitere Informationen sind diese Links hilfreich.

- <https://www.spektrumrc.com/>
- <https://github.com/betaflight>
- <https://github.com/betaflight/betaflight/wiki>
- <https://github.com/cleanflight/cleanflight/blob/master/docs/PID%20tuning.md>
- https://en.wikipedia.org/wiki/PID_controller

LIMITED WARRANTY

What this Warranty Covers - Horizon Hobby, LLC, (Horizon) warrants to the original purchaser that the product purchased (the "Product") will be free from defects in materials and workmanship at the date of purchase.

What is Not Covered - This warranty is not transferable and does not cover (i) cosmetic damage, (ii) damage due to acts of God, accident, misuse, abuse, negligence, commercial use, or due to improper use, installation, operation or maintenance, (iii) modification of or to any part of the Product, (iv) attempted service by anyone other than a Horizon Hobby authorized service center, (v) Product not purchased from an authorized Horizon dealer, (vi) Product not compliant with applicable technical regulations, or (vii) use that violates any applicable laws, rules, or regulations.

OTHER THAN THE EXPRESS WARRANTY ABOVE, HORIZON MAKES NO OTHER WARRANTY OR REPRESENTATION, AND HEREBY DISCLAIMS ANY AND ALL IMPLIED WARRANTIES, INCLUDING, WITHOUT LIMITATION, THE IMPLIED WARRANTIES OF NON-INFRINGEMENT, MERCHANTABILITY AND FITNESS FOR A PARTICULAR PURPOSE. THE PURCHASER ACKNOWLEDGES THAT THEY ALONE HAVE DETERMINED THAT THE PRODUCT WILL SUITABLY MEET THE REQUIREMENTS OF THE PURCHASER'S INTENDED USE.

Purchaser's Remedy - Horizon's sole obligation and purchaser's sole and exclusive remedy shall be that Horizon will, at its option, either (i) service, or (ii) replace, any Product determined by Horizon to be defective. Horizon reserves the right to inspect any and all Product(s) involved in a warranty claim. Service or replacement decisions are at the sole discretion of Horizon. Proof of purchase is required for all warranty claims. SERVICE OR REPLACEMENT AS PROVIDED UNDER THIS WARRANTY IS THE PURCHASER'S SOLE AND EXCLUSIVE REMEDY.

Limitation of Liability - HORIZON SHALL NOT BE LIABLE FOR SPECIAL, INDIRECT, INCIDENTAL OR CONSEQUENTIAL DAMAGES, LOSS OF PROFITS OR PRODUCTION OR COMMERCIAL LOSS IN ANY WAY, REGARDLESS OF WHETHER SUCH CLAIM IS BASED IN CONTRACT, WARRANTY, TORT, NEGLIGENCE, STRICT LIABILITY OR ANY OTHER THEORY OF LIABILITY, EVEN IF HORIZON HAS BEEN ADVISED OF THE POSSIBILITY OF SUCH DAMAGES. Further, in no event shall the liability of Horizon exceed the individual price of the Product on which liability is asserted. As Horizon has no control over use, setup, final assembly, modification or misuse, no liability shall be assumed nor accepted for any resulting damage or injury. By the act of use, setup or assembly, the user accepts all resulting liability. If you as the purchaser or user are not prepared to accept the liability associated with the use of the Product, purchaser is advised to return the Product immediately in new and unused condition to the place of purchase.

Law - These terms are governed by Illinois law (without regard to conflict of law principals). This warranty gives you specific legal rights, and you may also have other rights which vary from state to state. Horizon reserves the right to change or modify this warranty at any time without notice.

WARRANTY SERVICES

Questions, Assistance, and Services - Your local hobby store and/or place of purchase cannot provide warranty support or service. Once assembly, setup or use of the Product has been started, you must contact your local distributor or Horizon directly. This will enable Horizon to better answer your questions and service you in the event that you may need any assistance. For questions or assistance, please visit our website at horizonhobby.com, submit an inquiry to productsupport@horizonhobby.com or call the toll-free telephone number referenced in the Warranty and Service Contact Information section to speak with a Product Support representative.

Inspection or Services - If this Product needs to be inspected or serviced and is compliant in the country you live and use the Product in, please use the Horizon Online Service Request submission process found on our website or call Horizon to obtain a Return Merchandise Authorization (RMA) number. Pack the Product securely using a shipping carton. Please note that original boxes may be included, but are not designed to withstand the rigors of shipping without additional protection. Ship via a carrier that provides tracking and insurance for lost or damaged parcels, as Horizon is not responsible for merchandise until it arrives and is accepted at our facility. An Online Service Request is available at http://www.horizonhobby.com/content/service-center_render-service-center. If you do not have internet access, please contact Horizon Product Support to obtain a RMA number along with instructions for submitting your product for service. When calling Horizon, you will be asked to provide your complete name, street address, email address and phone number where you can be reached during business hours. When sending product into Horizon, please include your RMA number, a list of the included items, and a brief summary of the problem. A copy of your original sales receipt must be included for warranty consideration. Be sure your name, address, and RMA number are clearly written on the outside of the shipping carton. Provided warranty conditions have been met, your Product will be serviced or replaced free of charge. Service or replacement decisions are at the sole discretion of Horizon.

NOTICE: Do not ship LiPo batteries to Horizon. If you have any issue with a LiPo battery, please contact the appropriate Horizon Product Support office. Warranty Requirements - For Warranty consideration, you must include your original sales receipt verifying the proof-of-purchase date. Non-Warranty Service - Should your service not be covered by warranty, service will be completed and payment will be required without notification or estimate of the expense unless the expense exceeds 50% of the retail purchase cost. By submitting the item for service you are agreeing to payment of the service without notification. Service estimates are available upon request. You must include this request with your item submitted for service. Non-warranty service estimates will be billed a minimum of ½ hour of labor. In addition you will be billed for return freight. Horizon accepts money orders and cashier’s checks, as well as Visa, MasterCard, American Express, and Discover cards. By submitting any item to Horizon for service, you are agreeing to Horizon’s Terms and Conditions found on our website http://www.horizonhobby.com/content/service-center_render-service-center.

ATTENTION: Horizon service is limited to Product compliant in the country of use and ownership. If received, a non-compliant Product will not be serviced. Further, the sender will be responsible for arranging return shipment of the un-serviced Product, through a carrier of the sender's choice and at the sender's expense. Horizon will hold non-compliant Product for a period of 60 days from notification, after which it will be discarded.

10/15

| Land des Kauf | Horizon Hobby | Telefon/E-mail Adresse | Adresse |
|-------------------|--|--|---|
| Europäische Union | Horizon Technischer Service Sales: Horizon Hobby GmbH | service@horizonhobby.de +49 (0) 4121 2655 100 | Hanskampring 9 D 22885 Barsbüttel, Germany |

RECHTLICHE INFORMATIONEN FÜR DIE EUROPÄISCHE UNION

CE EU Konformitätserklärung
Horizon LLC erklärt hiermit, dass dieses Produkt konform zu den essentiellen Anforderungen der EMC Direktive ist.
Eine Kopie der Konformitätserklärung ist online unter folgender Adresse verfügbar : <http://www.horizonhobby.com/content/support-render-compliance>.

Anweisungen zur Entsorgung von Elektro-und Elektronik-Altgeräten für Benutzer in der Europäischen Union



Dieses Produkt darf nicht zusammen mit anderem Abfall entsorgt werden. Stattdessen ist der Benutzer dafür verantwortlich, unbrauchbare Geräte durch Abgabe bei einer speziellen Sammelstelle für das Recycling von unbrauchbaren elektrischen und elektronischen Geräten zu entsorgen. Die separate Sammlung und das Recycling von unbrauchbaren Geräten zum Zeitpunkt der Entsorgung hilft, natürliche Ressourcen zu bewahren und sicherzustellen, dass Geräte auf eine Weise wiederverwertet werden, bei der die menschliche Gesundheit und die Umwelt geschützt werden. Weitere Informationen dazu, wo Sie unbrauchbare Geräte zum Recycling abgeben können, erhalten Sie bei lokalen Ämtern, bei der Müllabfuhr für Haushaltsmüll sowie dort, wo Sie das Produkt gekauft haben.

| FR |
|---|
| REMARQUE |
| La totalité des instructions, garanties et autres documents est sujette à modification à la seule discrétion d’Horizon Hobby, LLC. Pour obtenir la documentation à jour, rendez-vous sur le site horizonhobby.com et cliquez sur l’onglet de support de ce produit. |

Signification de certains termes spécifiques

Les termes suivants sont utilisés dans l’ensemble du manuel pour indiquer différents niveaux de danger lors de l’utilisation de ce produit:

REMARQUE: Procédures qui, si elles ne sont pas suivies correctement, peuvent entraîner des dégâts matériels ET éventuellement un faible risque de blessures.

ATTENTION: Procédures qui, si elles ne sont pas suivies correctement, peuvent entraîner des dégâts matériels ET des blessures graves.

AVERTISSEMENT: Procédures qui, si elles ne sont pas suivies correctement, peuvent entraîner des dégâts matériels et des blessures graves OU engendrer une probabilité élevée de blessure superficielle.

AVERTISSEMENT: Lisez la TOTALITÉ du manuel d’utilisation afin de vous familiariser avec les caractéristiques du produit avant de le faire fonctionner. Une utilisation incorrecte du produit peut entraîner sa détérioration, ainsi que des risques de dégâts matériels, voire de blessures graves.

Ceci est un produit de loisirs sophistiqué. Il doit être manipulé avec prudence et bon sens et requiert des aptitudes de base en mécanique. Toute utilisation irresponsable de ce produit ne respectant pas les principes de sécurité peut provoquer des blessures, entraîner des dégâts matériels et endommager le produit. Ce produit n’est pas destiné à être utilisé par des enfants sans la surveillance directe d’un adulte. N’essayez pas de démonter le produit, de l’utiliser avec des composants incompatibles ou d’en améliorer les performances sans l’accord d’Horizon Hobby, LLC. Ce manuel comporte des instructions relatives à la sécurité, au fonctionnement et à l’entretien. Il est capital de lire et de respecter la totalité des instructions et avertissements du manuel avant l’assemblage, le réglage et l’utilisation, ceci afin de manipuler correctement l’appareil et d’éviter tout dégât matériel ou toute blessure grave.

14 ans et plus. Ceci n’est pas un jouet.

REMARQUE : Ce produit est uniquement réservé à une utilisation avec des modèles réduits radiocommandés de loisir. Horizon Hobby se dégage de toute responsabilité et garantie si le produit est utilisé d’autre manière que celle citée précédemment.

IMPORTANT: Consultez les lois et réglementations en vigueur avant d’utiliser un équipement FPV. Dans certains lieux, le vol FPV peut être interdit ou limité. Il est de votre responsabilité d’utiliser de manière responsable ce produit tout en respectant les lois.

PLATINE DE CONTRÔLE DE VOL SPEKTRUM 3207

Le Panneau de commande de vol Spektrum FCM300 est fourni préchargé avec Betaflight et est configuré pour utiliser le récepteur de série Spektrum SPM4649T avec la télémétrie.

IMPORTANT : Les branchements ESC nécessitent des compétences de base en soudure afin d’effectuer l’installation.

IMPORTANT : La garantie ne couvre pas les dommages causés par la soudure, l’électricité statique ou la polarité inversée.

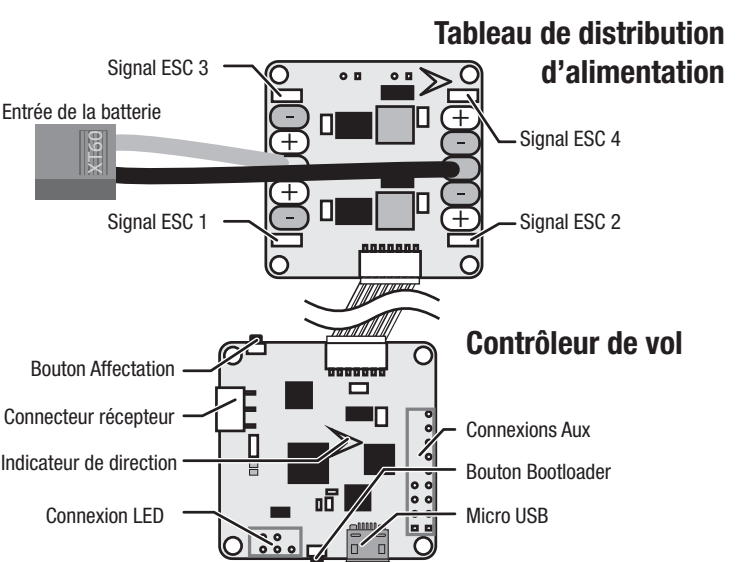
AVERTISSEMENT: Cette platine n’a pas de protection contre l’inversion de polarité. Toute inversion de polarité détruira la platine et les périphériques connectées.

AVERTISSEMENT: Cette platine est sensible à l’électricité statique. Faites bien attention lorsque vous la manipulez et suivez bien les procédures antistatiques.

Ce produit utilise un logiciel tiers Betaflight pour une partie du codage. Pour plus d’informations sur le logiciel Betaflight, veuillez consulter le site: https://github.com/betaflight/betaflight/wiki.

LOGICIEL TIERS. Ce produit peut contenir des codes développés par un ou plusieurs tiers ("Logiciel tiers"). Certains logiciels tiers peuvent être soumis à d’autres conditions générales, qui peuvent être téléchargées avec la documentation du produit. Nonobstant des conditions générales du présent contrat, le logiciel tiers vous est concédé selon les conditions générales du contrat de licence du logiciel identifié dans les informations de logiciel libre. Si les conditions générales tiers incluent des licences qui garantissent la disponibilité du code source (comme la licence GPL, General Public Licence), les informations de logiciel libre ou les médias sur lesquels le logiciel est livré fourniront des instructions pour pouvoir obtenir ce code source.

| | CARACTÉRISTIQUES |
|------------------------|---|
| Tension d'alimentation | 7-18V |
| Tension en sortie | 5V et 12V pour les brochages de connexion Aux |
| Masse | 19g |
| Dimensions | 36 x 36mm (support 30,5 x 30,5mm) |



INSTALLATION DU RÉCEPTEUR

- Branchez le dispositif de commande de vol au récepteur de série SPM4649T à l’aide d’un câble SPM9010. Le panneau de commande de vol est fourni préconfiguré pour le récepteur de série SPM4649T. N’utilisez pas de récepteur de série de 3,3 V.
- Le câble du variateur ESC 4-en-1 intègre à la fois des signaux ESC et une alimentation 5 V pour le dispositif de commande de vol et le récepteur.

Affectation

Appuyez sur le bouton Affectation du dispositif de commande de vol en branchant la batterie afin de placer le récepteur en mode affectation.

MONTAGE

Le set des entretoises SPMVX180 est recommandé pour assembler le contrôleur de vol et le tableau de distribution d’alimentation.

Montez le contrôleur de vol et le tableau de distribution d’alimentation avec la flèche sur le tableau orientée vers l’avant.

Conseil: pour des performances optimales, assurez-vous que le tableau est montée à plat et horizontale par rapport au châssis.

INSTALLATION DE L'ESC

Les fils d’alimentation et de signal pour les ESC doivent être soudés aux positions correctes sur le tableau de distribution. Un fil de batterie avec un connecteur XT60 est préinstallé sur le tableau de distribution.

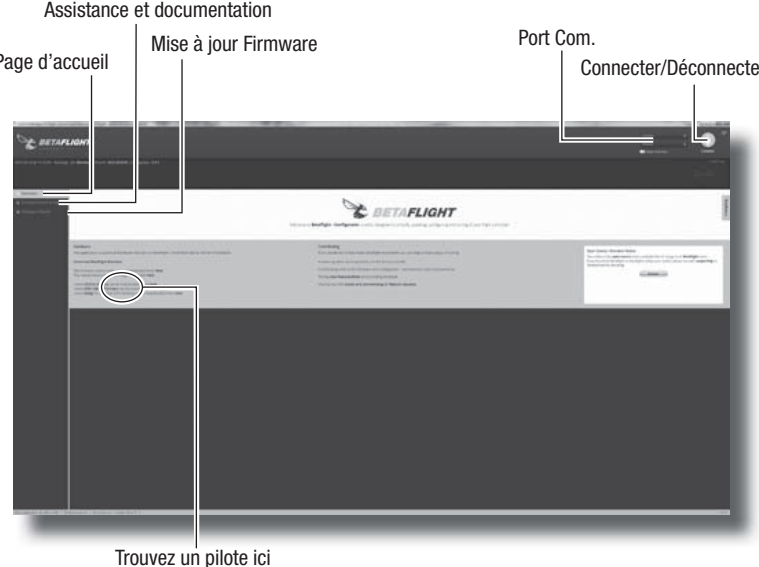
- Couper les fils d’alimentation ESC et de signal à la longueur correcte pour s’adapter au cadre.
- Souderez les fils d’alimentation positifs aux pastilles à souder positives et les fils négatifs aux pastilles à souder négatives.
- Souderez les fils de signaux ESC aux positions correspondants sur le tableau de distribution (voir schéma)

IMPORTANT: Vérifiez la polarité de tous les fils avant de les brancher au courant.

AVERTISSEMENT: Toutes les hélices doivent être retirées des moteurs avant de connecter l’alimentation à la platine. Les hélices doivent restées désinstallées lors de l’installation et de la programmation.

INSTALLATION BETAFLIGHT

Toutes les captures d’écran sont à jour au moment de l’impression. Les futures versions de Betaflight seront probablement différentes. Consultez l’onglet “Support” dans Betaflight ou notre section Ressource pour des informations à jour.



Le configurateur Betaflight est une application Google Chrome open source disponible sur le Web Store de Google Chrome.

Installation :

- Depuis le Web Store de Google Chrome, recherchez le Configurateur Betaflight. Installez puis lancez l’application depuis Google Chrome. Betaflight est compatible avec tous les systèmes d’exploitation compatibles avec Google Chrome.
- Téléchargez le pilote nécessaire pour permettre à Betaflight de communiquer avec le panneau de commande de vol par USB. Le pilote est disponible sur la page principale de Betaflight en suivant le lien ci-dessus.

IMPORTANT : Betaflight devra être redémarré et le système d’exploitation devra dans certains cas également être redémarré pour que les pilotes soient pris en compte.

- Branchez le Panneau de commande de vol Spektrum SPMFCM300 à un câble micro USB puis branchez-le à l’ordinateur.

IMPORTANT : Un câble USB de charge uniquement ne fonctionnera pas. Le câble USB doit permettre de transférer des données.

- Assurez-vous que le bon port est sélectionné puis appuyez sur le bouton Connecter. Pour les futures connexions, cliquez sur Connexion automatique afin que la connexion se fasse automatiquement à chaque branchement du panneau.

MISE A JOUR DU FIRMWARE

Avant d’utiliser la platine de contrôle de vol Spektrum 32, vous devez d’abord mettre le firmware à jour.

Pour la mise à jour:

- Cliquez sur “Disconnect” si la platine est déjà connectée. NE débranchez PAS la platine de l’ordinateur à ce moment-là.
- Allez sur l’onglet Firmware de la page principale de Betaflight.
- Dans le menu déroulant “Choose a Firmware/Board”, sélectionnez la dernière mise à jour stable SPRF3.
- Téléchargez le Firmware en cliquant sur le bouton “Load Firmware [Online]” en bas de l’écran.
- Une fois téléchargé, cliquez sur le bouton “Flash Firmware” en bas de l’écran. Laissez la mise à jour se faire sans déranger la platine. Lorsque la barre de progression indique “Programming: SUCCESS-FUL”, vous pouvez alors déconnecter en toute sécurité et entamer la programmation de la platine.

IMPORTANT: Le fait de flasher le Firmware effacera tout le contenu de la platine. Sauvegardez toujours une copie sur un disque dur. Pour réaliser une sauvegarde de la platine, allez sur l’onglet Setup et cliquez sur Backup.

PROGRAMMATION DE BASE

La platine de contrôle de vol Spektrum 32 est pré-configurée pour une utilisation avec le récepteur satellite Spektrum (SPM4649T). Pour terminer le réglage de base, suivez les étapes suivantes:

IMPORTANT : Toutes les options ou configurations ne seront pas couvertes par ce manuel. Rendez-vous sur la page Internet Betaflight Wiki, que vous trouverez dans la section ressources, pour plus d’informations.

- Paramétrage :** L’écran de paramétrage est le premier écran qui apparaît une fois le panneau connecté avec succès à Betaflight. Betaflight offre une représentation graphique en temps réel de l’orientation des panneaux et permet également de sauvegarder ou de restaurer un modèle.
- Configuration :** Dans la section Mélangeur, « Quad X » est la configuration par défaut. Notez le numéro et la direction de chaque moteur. Dans la section Mode du récepteur, sélectionnez RX_SERIAL si vous utilisez le récepteur Spektrum 4649T.
- Sécurité intégrée :** Utilisez les paramètres par défaut pour commencer.
- Réglage PID :** Utilisez les paramètres par défaut pour commencer.

PROGRAMMATION DE BASE - SUITE

CONSEIL : Le réglage PID a un impact direct sur la qualité de vol de l’avion. De nombreuses ressources permettant de comprendre le réglage PID sont disponibles sur Internet. Vous en trouverez certaines dans la section RESSOURCES.

IMPORTANT : Réalisez une sauvegarde avant de modifier les valeurs PID.

- Récepteur :** Utilisez cette section pour suivre la direction de sortie du récepteur et pour définir les exponentiels, la bande morte et la cadence.
- Modes :** Utilisez cette section pour paramétrer les assignations aux différents commutateurs (p. ex. les modes BRAS, ANGLE et HORIZON).
- Moteurs :** Utilisez cette section pour tester la sortie et la direction de tous les moteurs ou de certains d’entre eux.

AVERTISSEMENT : L’hélice de tous les moteurs doit être retirée. Le déplacement des curseurs dans l’écran Moteurs entraînera la montée en régime des moteurs.

VOL TEST

Une fois que toute la programmation est terminée et que le modèle est assemblé, il est important d’effectuer un vol test avec votre modèle.

Si vous n’avez pas calibré l’accéléromètre, nous vous recommandons de le faire maintenant. Avec la platine connectée au Betaflight et le modèle sur une surface de niveau, allez sur l’onglet setup et cliquez sur le bouton “Calibrate Accelerometer”.

- Testez le modèle dans un endroit sûr à l’écart des personnes et des animaux.
- Après avoir vérifié que les pales rotor tourment bien dans le bon sens, effectuez un test de réponse commandes des moteurs.
- Réglez les gaz à un niveau bas où le modèle commence à décoller.
- Bougez le manche de dérive un peu sur la droite. Le nez du quadcoptère devrait commencer à tourner vers la droite (sens horaire).
- Bougez le manche de dérive un peu sur la gauche. Le nez du quadcoptère devrait commencer à tourner vers la gauche (sens antihoraire).
- Bougez le manche de profondeur vers l’avant. L’ARRIERE du quadcoptère se soulèvera du sol.
- Bougez le manche de profondeur vers l’arrière. L’AVANT du quadcoptère se soulèvera du sol.
- Bougez le manche ailerons sur la droite. Le côté GAUCHE du quadcoptère se soulèvera du sol.
- Bougez le manche ailerons sur la gauche. Le côté DROIT du quadcoptère se soulèvera du sol.
- Notez tout changement qui doit être fait à la programmation.
- RETIREZ TOUJOURS LES HÉLICES LORSQUE VOUS EFFECTUEZ DES CHANGEMENTS DE PROGRAMMATION.**
- Lorsque les rotors tourment correctement et répondent bien aux commandes, le modèle est prêt pour le premier vol.

RESSOURCES

Pour encore plus d’informations, veuillez consulter les liens ci-dessous:

- https://www.spektrumrc.com/
- https://github.com/betaflight
- https://github.com/betaflight/betaflight/wiki
- https://github.com/cleanflight/cleanflight/blob/master/docs/PID%20tuning.md
- https://en.wikipedia.org/wiki/PID_controller

Durée de la garantie

Garantie exclusive - Horizon Hobby, LLC (Horizon) garantit que le Produit acheté (le « Produit ») sera exempt de défauts matériels et de fabrication à sa date d’achat par l’Acheteur. La durée de garantie correspond aux dispositions légales du pays dans lequel le produit a été acquis. La durée de garantie est de 6 mois et la durée d’obligation de garantie de 18 mois à l’expiration de la période de garantie.

Limitations de la garantie

(a) La garantie est donnée à l’acheteur initial (« Acheteur ») et n’est pas transférable. Le recours de l’acheteur consiste en la réparation ou en l’échange dans le cadre de cette garantie. La garantie s’applique uniquement aux produits achetés chez un revendeur Horizon agréé. Les ventes faites à des tiers ne sont pas couvertes par cette garantie. Les revendications en garantie seront acceptées sur fourniture d’une preuve d’achat valide uniquement. Horizon se réserve le droit de modifier les dispositions de la présente garantie sans avis préalable et révoque alors les dispositions de garantie existantes.
(b) Horizon n’endosse aucune garantie quant à la vendabilité du produit ou aux capacités et à la forme physique de l’utilisateur pour une utilisation donnée du produit. Il est de la seule responsabilité de l’acheteur de vérifier si le produit correspond à ses capacités et à l’utilisation prévue.
(c) Recours de l’acheteur – Il est de la seule discrétion d’Horizon de déterminer si un produit présentant un cas de garantie sera réparé ou échangé. Ce sont là les recours exclusifs de l’acheteur lorsqu’un défaut est constaté.

Horizon se réserve la possibilité de vérifier tous les éléments utilisés et susceptibles d’être intégrés dans le cas de garantie. La décision de réparer ou de remplacer le produit est du seul ressort d’Horizon. La garantie exclut les défauts esthétiques ou les défauts provoqués par des cas de force majeure, une manipulation incorrecte du produit, une utilisation incorrecte ou commerciale de ce dernier ou encore des modifications de quelque nature qu’elles soient.

La garantie ne couvre pas les dégâts résultant d’un montage ou d’une manipulation erronés, d’accidents ou encore du fonctionnement ainsi que des tentatives d’entretien ou de réparation

non effectuées par Horizon. Les retours effectués par le fait de l’acheteur directement à Horizon ou à l’une de ses représentations nationales requièrent une confirmation écrite.

Limitation des dommages

Horizon ne saurait être tenu pour responsable de dommages conséquents directs ou indirects, de pertes de revenus ou de pertes commerciales, liés de quelque manière que ce soit au produit et ce, indépendamment du fait qu’un recours puisse être formulé en relation avec un contrat, la garantie ou l’obligation de garantie. Par ailleurs, Horizon n’acceptera pas de recours issus d’un cas de garantie lorsque ces recours dépassent la valeur unitaire du produit. Horizon n’exerce aucune influence sur le montage, l’utilisation ou la maintenance du produit ou sur d’éventuelles combinaisons de produits choisis par l’acheteur. Horizon ne prend en compte aucune garantie et n’accepte aucun recours pour les blessures ou les dommages pouvant en résulter. Horizon Hobby ne saurait être tenu responsable d’une utilisation ne respectant pas les lois, les règles ou réglementations en vigueur.

En utilisant et en montant le produit, l’acheteur accepte sans restriction ni réserve toutes les dispositions relatives à la garantie figurant dans le présent document. Si vous

n’êtes pas prêt, en tant qu’acheteur, à accepter ces dispositions en relation avec l’utilisation du produit, nous vous demandons de restituer au vendeur le produit complet, non utilisé et dans son emballage d’origine.
Indications relatives à la sécurité

Ceci est un produit de loisirs perfectionné et non un jouet. Il doit être utilisé avec précaution et bon sens et nécessite quelques aptitudes mécaniques ainsi que mentales. L’incapacité à utiliser le produit de manière sure et raisonnable peut provoquer des blessures et des dégâts matériels conséquents. Ce produit n’est pas destiné à être utilisé par des enfants sans la surveillance par un tuteur. La notice d’utilisation contient des indications relatives à la sécurité ainsi que des indications concernant la maintenance et le fonctionnement du produit. Il est absolument indispensable de lire et de comprendre ces indications avant la première mise en service. C’est uniquement ainsi qu’il sera possible d’éviter une manipulation erronée et des accidents entraînant des blessures et des dégâts. Horizon Hobby ne saurait être tenu responsable d’une utilisation ne respectant pas les lois, les règles ou réglementations en vigueur.

Questions, assistance et réparations

Votre revendeur spécialisé local et le point de vente ne peuvent effectuer une estimation d’éligibilité à l’application de la garantie sans avoir consulté Horizon. Cela vaut également pour les réparations sous garantie. Vous voudrez bien, dans un tel cas, contacter le revendeur qui conviendra avec Horizon d’une décision appropriée, destinée à vous aider le plus rapidement possible.

Maintenance et réparation

Si votre produit doit faire l’objet d’une maintenance ou d’une réparation, adressez-vous soit à votre revendeur spécialisé, soit directement à Horizon. Emballez le produit soigneusement. Veuillez noter que le carton d’emballage d’origine ne suffit pas, en règle générale, à protéger le produit des dégâts pouvant survenir pendant le transport. Faites appel à un service de messagerie proposant une fonction de suivi et une assurance, puisque Horizon ne prend aucune responsabilité pour l’expédition du produit jusqu’à sa réception acceptée. Veuillez joindre une preuve d’achat, une description détaillée des défauts ainsi qu’une liste de tous les éléments distincts envoyés. Nous avons de plus besoin d’une adresse complète, d’un numéro de téléphone (pour demander des renseignements) et d’une adresse de courriel.

Garantie et réparations

Les demandes en garantie seront uniquement traitées en présence d’une preuve d’achat originale émanant d’un revendeur spécialisé agréé, sur laquelle figurent le nom de l’acheteur ainsi que la date d’achat. Si le cas de garantie est confirmé, le produit sera réparé. Cette décision relève uniquement d’Horizon Hobby.

Réparations payantes

En cas de réparation payante, nous établissons un devis que nous transmettons à votre revendeur. La réparation sera seulement effectuée après que nous ayons reçu la confirmation du revendeur. Le prix de la réparation devra être acquitté au revendeur. Pour les réparations payantes, nous facturons au minimum 30 minutes de travail en atelier ainsi que les frais de réexpédition. En l’absence d’un accord pour la réparation dans un délai de 90 jours, nous nous réservons la possibilité de détruire le produit ou de l’utiliser autrement.

ATTENTION: Nous n’effectuons de réparations payantes que pour les composants électroniques et les moteurs. Les réparations touchant à la mécanique, en particulier celles des hélicoptères et des voitures radiocommandées, sont extrêmement coûteuses et doivent par conséquent être effectuées par l’acheteur lui-même. 10/15

| Pays d'achat | Horizon Hobby | Numéro de téléphone/E-mail | Adresse |
|------------------|-----------------------------|----------------------------|-----------------------------|
| Union européenne | Horizon Technischer Service | service@horizonhobby.eu | Hanskampring 9 |
| | Sales: Horizon Hobby GmbH | +49 (0) 4121 2655 100 | D 22885 Barsbüttel, Germany |

INFORMATIONS DE CONFORMITÉ POUR L'UNION EUROPÉENNE

CE Déclaration de conformité de l’Union européenne :

Horizon Hobby, LLC déclare par la présente que ce produit est en conformité avec les exigences essentielles et les autres dispositions de la directive CEM.

Une copie de la déclaration de conformité européenne est disponible à :

http://www.horizonhobby.com/content/support-render-compliance.

Instructions relatives à l’élimination des D3E pour les utilisateurs résidant dans l’Union européenne



Ce produit ne doit pas être éliminé avec d’autres déchets. Il relève de la responsabilité de l’utilisateur d’éliminer les équipements mis au rebut en les remettant à un point de collecte désigné en vue du recyclage des déchets d’équipements électriques et électroniques. La collecte et le recyclage séparés de vos équipements au moment de leur élimination aideront à préserver les ressources naturelles et à garantir que les déchets seront recyclés de manière

à protéger la santé humaine et l’environnement. Pour plus d’informations quant aux lieux de dépôt de vos équipements mis au rebut en vue du recyclage, veuillez contacter votre mairie, votre service de traitement des ordures ménagères ou le magasin dans lequel vous avez acheté le produit.

| IT |
|--|
| |
| AVVISO |
| Tutte le istruzioni, le garanzie e gli altri documenti pertinenti sono soggetti a cambiamenti a totale discrezione di Horizon Hobby, LLC. Per una documentazione aggiornata sul prodotto, visitare il sito horizonhobby.com e fare clic sulla sezione Support del prodotto. |
| Terminologia |
| Nella documentazione relativa al prodotto vengono utilizzati i seguenti termini per indicare i vari livelli di pericolo potenziale durante l'uso del prodotto: <p>AVVISO: indica procedure che, se non debitamente seguite, possono determinare il rischio di danni alle cose E il rischio minimo o nullo di lesioni alle persone.</p> <p>ATTENZIONE: indica procedure che, se non debitamente seguite, determinano il rischio di danni alle cose E di gravi lesioni alle persone.</p> <p>AVVERTENZA: indica procedure che, se non debitamente seguite, determinano il rischio di danni alle cose, danni collaterali e gravi lesioni alle persone O il rischio elevato di lesioni superficiali alle persone.</p> <p>⚠ AVVERTENZA: leggere TUTTO il manuale di istruzioni e familiarizzare con le caratteristiche del prodotto prima di farlo funzionare. Un uso improprio del prodotto può causare danni al prodotto stesso e alle altre cose e gravi lesioni alle persone.</p> <p>Questo è un prodotto sofisticato per appassionati. Deve essere azionato in maniera attenta e responsabile e richiede alcune conoscenze basilari di meccanica. L'uso improprio o irresponsabile di questo prodotto può causare lesioni alle persone e danni al prodotto stesso o alle altre cose. Questo prodotto non deve essere utilizzato dai bambini senza la diretta supervisione di un adulto. Non usare componenti non compatibili o alterare il prodotto in nessuna maniera al di fuori delle istruzioni fornite da Horizon Hobby LLC. Questo manuale contiene le istruzioni per la sicurezza, l'uso e la manutenzione del prodotto. È fondamentale leggere e seguire tutte le istruzioni e le avvertenze del manuale prima di montare, impostare o utilizzare il prodotto, al fine di utilizzarlo correttamente e di evitare di causare danni alle cose o gravi lesioni alle persone.</p> <p>Almeno 14 anni. Non è un giocattolo.</p> <p>AVVISO: questo prodotto è inteso per un uso su veicoli o aerei senza pilota, radiocomandati e di livello hobbistico. Horizon Hobby declina ogni responsabilità al di fuori di queste specifiche e di conseguenza non fornirà alcuna garanzia in merito.</p> <p>IMPORTANTE: Prima di operare in FPV consultare le leggi e le ordinanze locali. In alcune aree le operazioni in FPV potrebbero essere limitate o proibite. L'utilizzatore risponde direttamente dell'utilizzo in maniera legale e responsabile.</p> |
| SCHEDA DI CONTROLLO SPEKTRUM™ 32 |

La scheda di controllo di volo Spektrum FCM300 viene fornita configurata con Betaflight per usare il ricevitore seriale con telemetria Spektrum SPM4649T.

IMPORTANTE: per completare l'installazione, le connessioni dell'ESC richiedono competenze di base per la saldatura.

IMPORTANTE: la garanzia non copre i danni da saldatura, elettricità statica o inversione di polarità.

⚠ AVVERTENZA: questa scheda non ha la protezione per le inversioni di polarità. Un'inversione di polarità distruggerà la scheda e tutte le periferiche ad essa collegate.

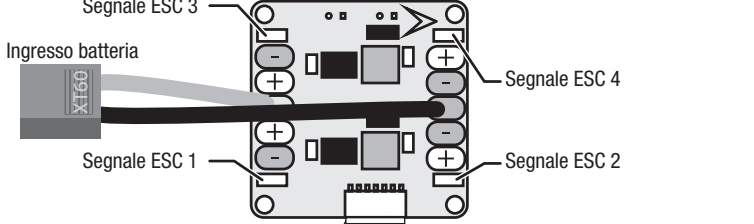
⚠ AVVERTENZA: questa scheda è sensibile all'elettricità statica. Bisogna maneggiarla con cautela. Assicurarsi di seguire le corrette procedure anti-statiche.

Questo prodotto usa porzioni di codice del software di terze parti Betaflight. Per maggiori informazioni sul software Betaflight, visitare il sito: <https://github.com/betaflight/betaflight/wiki>.

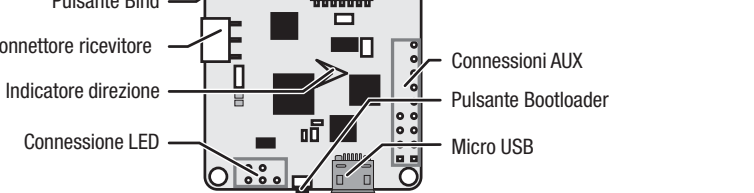
SOFTWARE DI TERZE PARTI Questo prodotto può includere un codice sviluppato da una o più terze parti (di seguito "software di terze parti"). Alcuni software di terze parti potrebbero essere soggetti ad altri termini e condizioni che sono scaricabili insieme alla documentazione del prodotto. Fermi restando i termini e le condizioni del presente accordo, il software di terze parti viene concesso in licenza all'utente alle condizioni e nei termini previsti dal contratto di licenza software indicato negli avvisi di divulgazione del software open source. Se i termini e le condizioni delle terze parti includono licenze che autorizzano la messa a disposizione del codice sorgente (ad esempio, la licenza GNU GPL), gli avvisi di divulgazione del software open source o il supporto su cui viene fornito tale software forniranno le istruzioni su come ottenere una copia di tale codice.

| | SPECIFICHE |
|-------------------|---------------------------------|
| Tensione ingresso | 7-18V |
| Tensione uscita | 5V e 12v Aux Rails |
| Peso | 19g |
| Dimensioni | 36x36mm (30,5x30,5mm fissaggio) |

Scheda di distribuzione



Flight controller



INSTALLAZIONE DEL RICEVITORE

- Collegare il controller di volo al ricevitore seriale SPM4649T tramite un cavo SPM9010. La scheda di controllo di volo viene fornita configurata per il ricevitore seriale SPM4649T. Non utilizzare un ricevitore seriale da 3,3V.
- Il cavo per l'ESC 4-in-1 include sia i segnali dell'ESC che l'alimentazione a 5V per il controller di volo e il ricevitore.

Binding

Premere il pulsante di binding sul controller di volo collegando una batteria per impostare il ricevitore in modalità bind.

MONTAGGIO

Si consiglia di usare il set di distanziali SPMVX180 per assemblare il flight controller e la scheda di distribuzione. Montare il flight controller e la scheda di distribuzione con la freccia sulla scheda rivolta avanti.

Consiglio: per prestazioni ottimali, accertarsi che la scheda sia montata in posizione piana e livellata rispetto al telaio.

INSTALLAZIONE ESC

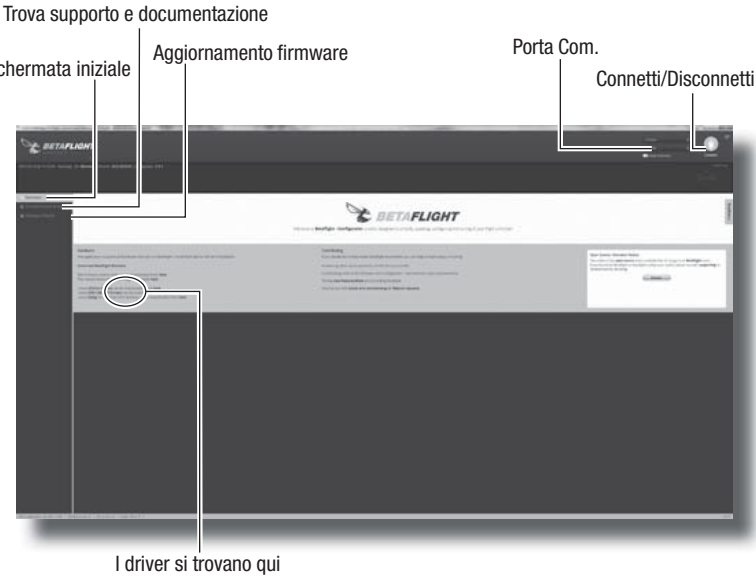
La scheda SPMFCM300 è configurata per l'uso con l'ESC 4-in-1 BLH04008. Collegare il controller di volo all'ESC 4-in-1 tramite il cavo in dotazione.

Avviso: verificare la polarità di tutti i fili elettrici prima di collegare l'alimentazione.

⚠ AVVERTENZA: prima di alimentare la scheda bisogna togliere tutte le eliche dai motori. Durante l'installazione e la programmazione, le eliche non devono essere montate.

INSTALLAZIONE DI BETAFLIGHT

Tutte le schermate sono aggiornate al momento della stampa. Tutte le versioni future di Betaflight saranno probabilmente diverse. Per avere informazioni aggiornate si faccia riferimento alla scheda di supporto dentro Betaflight e alla nostra sezione Risorse.



Il configuratore Betaflight è un'applicazione open source di Google Chrome disponibile nel Google Chrome Web Store.

Installazione:

- Nel Google Chrome Web Store cercare Betaflight Configurator. Installare e avviare l'applicazione all'interno di Google Chrome. Betaflight è compatibile con qualsiasi sistema operativo che supporti Google Chrome.
- Scaricare il driver richiesto per consentire a Betaflight di comunicare con la scheda di controllo di volo tramite USB. Il driver è disponibile al link nella home page di Betaflight sopraindicata.

IMPORTANTE: l'applicazione Betaflight chiederà di essere riavviata e in alcuni casi potrebbe essere necessario riavviare il sistema operativo affinché i driver vengano rilevati.

- Collegare la scheda di controllo di volo Spektrum SPMFCM300 a un cavo micro USB e collegarla al computer.
- IMPORTANTE:** un cavo USB per la sola ricarica non è adatto. Il cavo USB deve consentire il trasferimento di dati.
- Assicurarsi di selezionare la porta corretta e premere il pulsante Connect. Per i collegamenti successivi, fare clic su Auto-Connect affinché la scheda si connetta in automatico ogni volta che viene collegata.

AGGIORNAMENTO FIRMWARE

Prima di usare la scheda di controllo Spektrum 32, bisogna aggiornare il suo firmware.

Per aggiornare:

- Se la scheda è già connessa, cliccare su "Disconnect". A questo punto non scollegare la scheda dal computer.
- Andare su Firmware nella schermata principale di Betaflight.
- Nel menu a cascata "Choose a Firmware/Board" (scegli firmware/scheda), scegliere l'aggiornamento stabile SPRF3 più recente.
- Scaricare il Firmware cliccando su "Load Firmware [Online]" nella parte inferiore della schermata.
- Una volta scaricato, cliccare su "Flash Firmware" sempre nella parte inferiore della schermata. Lasciare che l'aggiornamento lavori senza disturbare la scheda. Quando la barra di avanzamento mostra "Programming: SUCCESSFUL", è il momento di scollegare oppure di andare sulla programmazione della scheda.

IMPORTANTE: l'aggiornamento del firmware cancellerà tutto il contenuto della scheda. Bisogna sempre averlo salvato sul proprio hard disk locale. Per fare questo, basta andare su Setup e cliccare su Backup.

PROGRAMMAZIONE BASE

IMPORTANTE: in questo manuale non vengono trattate tutte le opzioni e le impostazioni. Per maggiori informazioni fare riferimento al sito Internet Betaflight Wiki indicato nella sezione risorse.

- Impostazioni:** la schermata Impostazioni è la prima che compare dopo avere collegato con successo la scheda a Betaflight. Betaflight offre una rappresentazione grafica in tempo reale dell'orientamento delle schede ed è qui che viene eseguito il back up/ripristino di un modello.
- Configurazione:** nella sezione Mixer, la configurazione di default è "Quad X". Notare il numero e la direzione di ogni motore. Nella sezione Receiver Mode, selezionare RX_SERIAL se si usa il ricevitore Spektrum 4649T.
- Failsafe:** per iniziare, usare le impostazioni di default
- Regolazione PID:** per iniziare, usare le impostazioni di default.

CONSIGLIO: la regolazione PID influisce direttamente sulla qualità del volo dall'aeromodello. In Internet sono disponibili diverse risorse che aiutano a comprendere la regolazione PID. Alcune risorse sono elencate nella sezione RISORSE.

IMPORTANTE: effettuare un back up prima di modificare i valori PID.

- Ricevitore:** usare questa scheda per monitorare la direzione di uscita dal ricevitore e per impostare expo, deadband e rate.
- Modalità:** usare questa scheda per le impostazioni relative all'assegnazione degli interruttori come le modalità ARM, ANGLE e HORIZON.
- Motori:** usare questa scheda per controllare uscita e direzione di tutti i motori o dei motori selezionati.

⚠ AVVERTENZA: le eliche devono essere state rimosse da tutti i motori. Muovendo le barre nella schermata Motori il motore aumenterà di giri.

PROVA IN VOLO

Una volta completata la programmazione e assemblato il modello, è importante provare in volo il velivolo. Se l'Accelerometro non è stato ancora calibrato, questo è il momento giusto per farlo. Con la scheda collegata a Betaflight e il velivolo appoggiato su di una superficie piana, andare nella sezione di impostazione e cliccare su "Calibrate Accelerometer" (calibrazione accelerometro).

- Provare il velivolo in un ambiente sicuro, lontano da persone ed animali.
- Dopo aver avuto la conferma che le pale girano nel verso giusto, provare la risposta dei motori ai comandi.
- Regolare il comando motore su di un livello di potenza basso, nel punto in cui il velivolo comincia a diventare "leggero" sui suoi pattini.
- Muovere lo stick del timone leggermente verso destra. Il naso del quadricoptero dovrebbe iniziare a ruotare verso destra (in senso orario).
- Muovere lo stick del timone leggermente verso sinistra. Il naso del quadricoptero dovrebbe iniziare a ruotare verso sinistra (in senso antiorario).
- Muovere lo stick dell'elevatore in avanti. La parte posteriore dovrebbe sollevarsi dal pavimento.
- Muovere lo stick dell'elevatore indietro. La parte anteriore dovrebbe sollevarsi dal pavimento.
- Muovere lo stick degli alettoni verso destra. La parte sinistra dovrebbe sollevarsi dal pavimento.
- Muovere lo stick degli alettoni verso sinistra. La parte destra dovrebbe sollevarsi dal pavimento.
- Tenere nota dei cambiamenti necessari da fare nella programmazione.
- QUANDO SI FANNO MODIFICHE ALLA PROGRAMMAZIONE TOGLIERE SEMPRE LE ELICHE.**
- Se le eliche girano correttamente e il velivolo risponde correttamente ai comandi, si è pronti per il primo volo!

RISORSE

Per ulteriori informazioni si possono visitare i seguenti indirizzi:

- https://www.spektrumrc.com/**
- https://github.com/betaflight**
- https://github.com/betaflight/betaflight/wiki**
- https://github.com/cleanflight/cleanflight/blob/master/docs/PID%20tuning.md**
- https://en.wikipedia.org/wiki/PID_controller**

Periodo di garanzia

Garanzia esclusiva - Horizon Hobby, LLC (Horizon) garantisce che il prodotto acquistato (il "Prodotto") sarà privo di difetti relativi ai materiali e di eventuali errori di montaggio alla data di acquisto. Il periodo di garanzia è conforme alle disposizioni legali del paese nel quale il prodotto è stato acquistato. Tale periodo di garanzia ammonta a 6 mesi e si estende ad altri 18 mesi dopo tale termine.

Limiti della garanzia

(a) La garanzia è limitata all'acquirente originale (Acquirente) e non è cedibile a terzi. L'acquirente ha il diritto a far riparare o a far sostituire la merce durante il periodo di questa garanzia. La garanzia copre solo quei prodotti acquistati presso un rivenditore autorizzato Horizon. Altre transazioni di terze parti non sono coperte da questa garanzia. La prova di acquisto è necessaria per far valere il diritto di garanzia. Inoltre, Horizon si riserva il diritto di cambiare o modificare i termini di questa garanzia senza alcun preavviso e di escludere tutte le altre garanzie già esistenti.

(b) Horizon non si assume alcuna garanzia per la disponibilità del prodotto, per l'adeguatezza o l'idoneità del prodotto a particolari previsti dall'utente. È sola responsabilità dell'acquirente il fatto di verificare se il prodotto è adatto agli scopi da lui previsti.

(c) Richiesta dell'acquirente – spetta soltanto a Horizon, a propria discrezione riparare o sostituire qualsiasi prodotto considerato difettoso e che rientra nei termini di garanzia. Queste sono le uniche rivealse a cui l'acquirente si può appellare, se un prodotto è difettoso.

Horizon si riserva il diritto di controllare qualsiasi componente utilizzato che viene coinvolto nella rivalse di garanzia. Le decisioni relative alla sostituzione o alla riparazione sono a discrezione di Horizon. Questa garanzia non copre dei danni superficiali o danni per cause di forza maggiore, uso errato del prodotto, un utilizzo che viola qualsiasi legge, regolamentazione o disposizione applicabile, negligenza, uso ai fini commerciali, o una qualsiasi modifica a qualsiasi parte del prodotto.

Questa garanzia non copre danni dovuti ad un'installazione errata, ad un funzionamento errato, ad una

manutenzione o un tentativo di riparazione non idonei a cura di soggetti diversi da Horizon. La restituzione del prodotto a cura dell'acquirente, o da un suo rappresentante, deve essere approvata per iscritto dalla Horizon.

Limiti di danno

Horizon non si riterrà responsabile per danni speciali, diretti, indiretti o consequenziali; perdita di profitto o di produzione; perdita commerciale connessa al prodotto, indipendentemente dal fatto che la richiesta si basa su un contratto o sulla garanzia. Inoltre la responsabilità di Horizon non supera mai in nessun caso il prezzo di acquisto del prodotto per il quale si chiede la responsabilità. Horizon non ha alcun controllo sul montaggio, sull'utilizzo o sulla manutenzione del prodotto o di combinazioni di vari prodotti. Quindi Horizon non accetta nessuna responsabilità per danni o lesioni derivanti da tali circostanze. Con l'utilizzo e il montaggio del prodotto l'utente acconsente a tutte le condizioni, limitazioni e riserve di garanzia citate in questa sede.

Qualora l'utente non fosse pronto ad assumersi tale responsabilità associata all'uso del prodotto, si suggerisce di restituire il prodotto intatto, mai usato e immediatamente presso il venditore.

Indicazioni di sicurezza

Questo è un prodotto sofisticato di hobbistica e non è un giocattolo. Esso deve essere manipolato con cautela, con giudizio e richiede delle conoscenze basilari di meccanica e delle facoltà mentali di base. Se il prodotto non verrà manipolato in maniera sicura e responsabile potrebbero risultare delle lesioni, dei gravi danni a persone, al prodotto o all'ambiente circostante. Questo prodotto non è concepito per essere usato dai bambini senza una diretta supervisione di un adulto. Il manuale del prodotto contiene le istruzioni di sicurezza, di funzionamento e di manutenzione del prodotto stesso. È fondamentale leggere e seguire tutte le istruzioni e le avvertenze nel manuale prima di mettere in funzione il prodotto. Solo così si eviterà un utilizzo errato e si preverranno incidenti, lesioni o danni.

Domande, assistenza e riparazioni

Il vostro negozio locale e/o luogo di acquisto non possono fornire garanzie di assistenza o riparazione senza previo colloquio con Horizon. Questo vale anche per le riparazioni in garanzia. Quindi in tale casi bisogna interpellare un rivenditore, che si metterà in contatto subito con Horizon per prendere una decisione che vi possa aiutare nel più breve tempo possibile.

Manutenzione e riparazione

Se il prodotto deve essere ispezionato o riparato, si prega di rivolgersi ad un rivenditore specializzato o direttamente ad Horizon. Il prodotto deve essere imballato con cura. Bisogna far notare che i box originali solitamente non sono adatti per effettuare una spedizione senza subire alcun danno. Bisogna effettuare una spedizione via corriere che fornisce una tracciabilità e un'assicurazione, in quanto Horizon non si assume alcuna responsabilità in relazione alla spedizione del prodotto. Inserire il prodotto in una busta assieme ad una descrizione dettagliata degli errori e ad una lista di tutti i singoli componenti spediti. Inoltre abbiamo bisogno di un indirizzo completo, di un numero di telefono per chiedere ulteriori domande e di un indirizzo e-mail.

Garanzia e riparazione

Le richieste in garanzia verranno elaborate solo se è presente una prova d'acquisto in originale proveniente da un rivenditore specializzato autorizzato, nella quale è ben visibile la data di acquisto. Se la garanzia viene confermata, allora il prodotto verrà riparato o sostituito. Questa decisione spetta esclusivamente a Horizon Hobby.

Riparazioni a pagamento

Se bisogna effettuare una riparazione a pagamento, effettueremo un preventivo che verrà inoltrato al vostro rivenditore. La riparazione verrà effettuata dopo l'autorizzazione da parte del vostro rivenditore. La somma per la riparazione dovrà essere pagata al vostro rivenditore. Le riparazioni a pagamento avranno un costo minimo di 30 minuti di lavoro e in fattura includeranno le spese di restituzione. Qualsiasi riparazione non pagata e non richiesta entro 90 giorni verrà considerata abbandonata e verrà gestita di conseguenza.

ATTENZIONE: Le riparazioni a pagamento sono disponibili solo sull'elettronica e sui motori. Le riparazioni a livello meccanico, soprattutto per gli elicotteri e le vetture RC, sono molto costose e devono essere effettuate autonomamente dall'acquirente. 10/15

INFORMAZIONI PER I CONTATTI

| Stato di acquisto | Horizon Hobby | Telefono/Indirizzo e-mail | Indirizzo |
|-------------------|--|--|---|
| Unione Europea | Horizon Technischer Service <p>Sales: Horizon Hobby GmbH</p> | service@horizonhobby.de <p>+49 (0) 4121 2655 100</p> | Hanskampring 9 <p>D 22885 Barsbüttel, Germany</p> |


INFORMAZIONI SULLA CONFORMITÀ PER L'UNIONE EUROPEA

CE Dichiarazione di Conformità EU:

Horizon Hobby, LLC con la presente dichiara che il prodotto è conforme ai requisiti essenziali e ad altre disposizioni rilevanti della direttiva EMC.

Una copia della dichiarazione di conformità per l'Unione Europea è disponibile a: <http://www.horizonhobby.com/content/support-render-compliance>.

Istruzioni del RAEE per lo smaltimento da parte di utenti dell'Unione Europea

 Questo prodotto non deve essere smaltito assieme ai rifiuti domestici. Al contrario, l'utente è responsabile dello smaltimento di tali rifiuti che devono essere portati in un centro di raccolta designato per il riciclaggio di rifiuti elettrici e apparecchiature elettroniche. La raccolta differenziata e il riciclaggio di tali rifiuti provenienti da apparecchiature nel momento dello smaltimento aiuteranno a preservare le risorse naturali e garantiranno un riciclaggio adatto a proteggere il benessere dell'uomo e dell'ambiente. Per maggiori informazioni sui centri di raccolta, contattare il proprio ufficio locale, il servizio di smaltimento rifiuti o il negozio presso il quale è stato acquistato il prodotto.

© 2017 Horizon Hobby, LLC

The Spektrum trademark is used with permission of Bachmann Industries, Inc.

All other trademarks, service marks and logos are property of their respective owners.

Created 04/17