

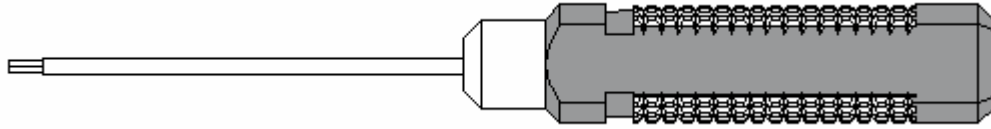


# TRAILFINDER 2

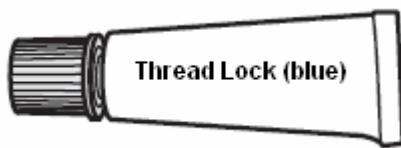
1/10 SCALE 4x4 TRUCK KIT



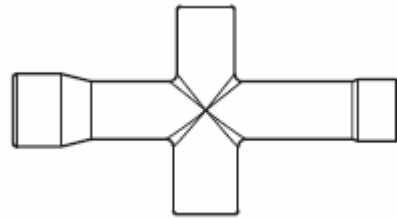
## ***Recommended Tools***



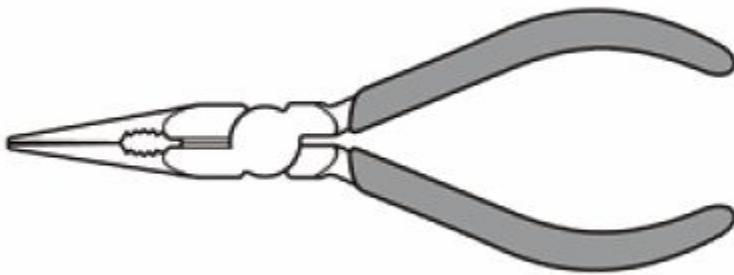
Hex Drivers (1.5mm, 2mm, 2.5mm)



Thread Lock



Cross Wrench



Long Nose Pliers

## ***Tips for Assembly***

Use good quality hex drivers to avoid stripping screw heads.

Use thread lock when putting metal screws into metal parts.

**Note:** Steps marked with an asterisk (\*) require thread lock.

Use thread lock sparingly.

Do not over tighten screws otherwise you may strip the thread.



## RC4WD Limited Warranty

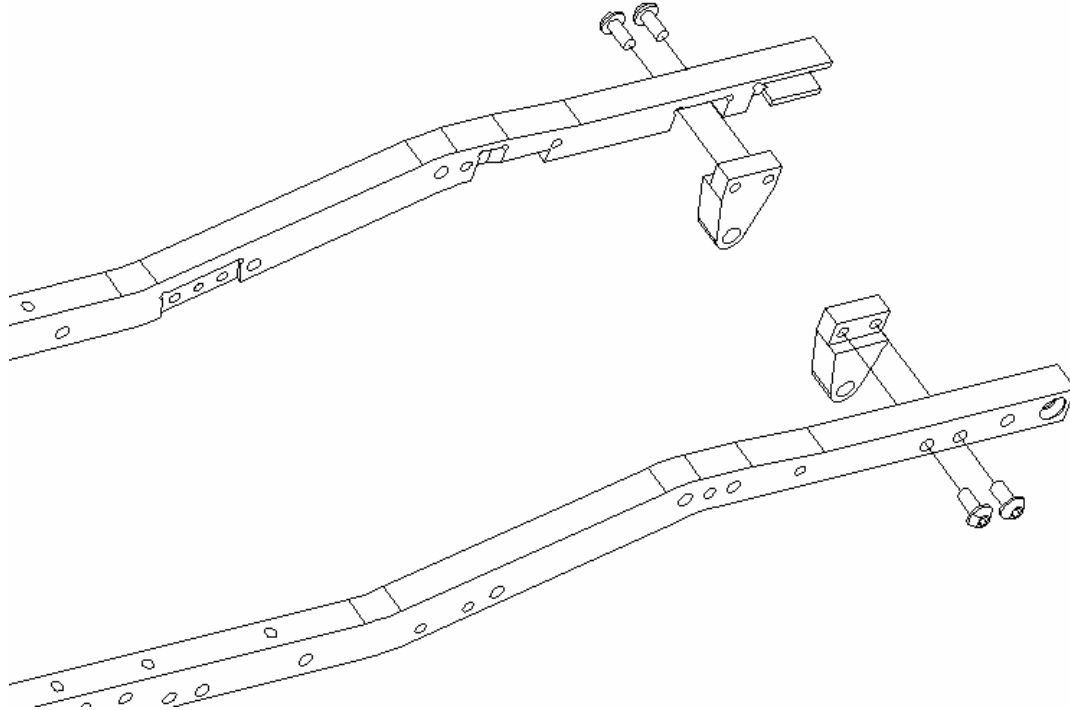
All RC4WD products are warranted to be free of defects in materials and workmanship when new. Our limited warranty does not cover damages due to normal wear and tear, user error of assembly or installation, user modifications, user's failure to perform routine maintenance, addition of aftermarket parts or option parts. This warranty lasts as long as the original purchaser owns the product. In the event of a defect under this warranty, RC4WD will, at our discretion, replace the product, provided our inspection indicates that an original defect exists. RC4WD reserves the right to replace any product which is no longer available with a product of comparable value and function. If RC4WD determines the repair is not covered under warranty guidelines, we will contact you to discuss your options. If you have any questions, please contact us via email at [rcrock@rc4wd.com](mailto:rcrock@rc4wd.com).



All of the hardware should be taken from Bag C

1 \*

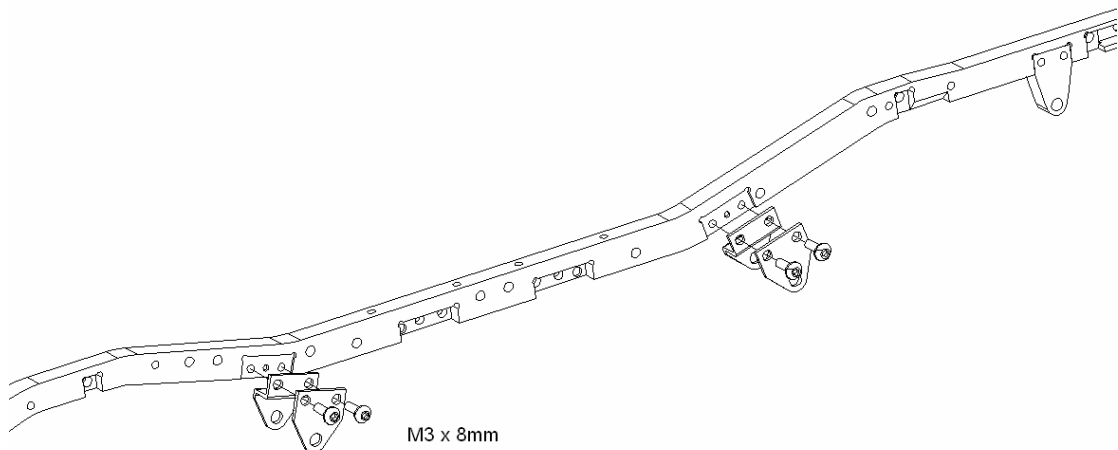
M3 x 6mm



Steps 2 to 5 should be done on both frame rails

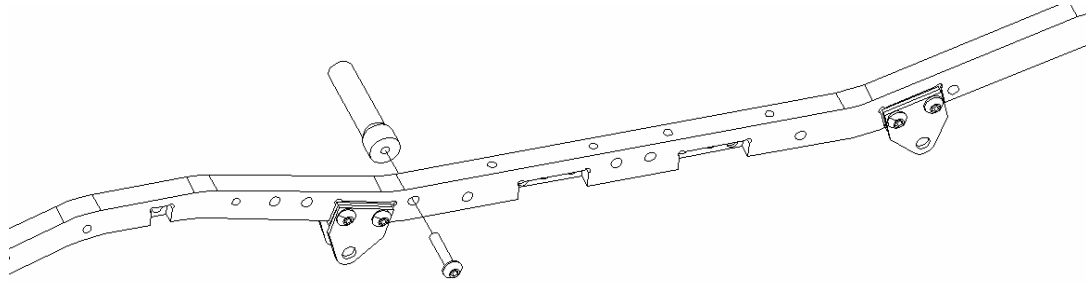
Metal parts can be found in parts Bag A

2 \*



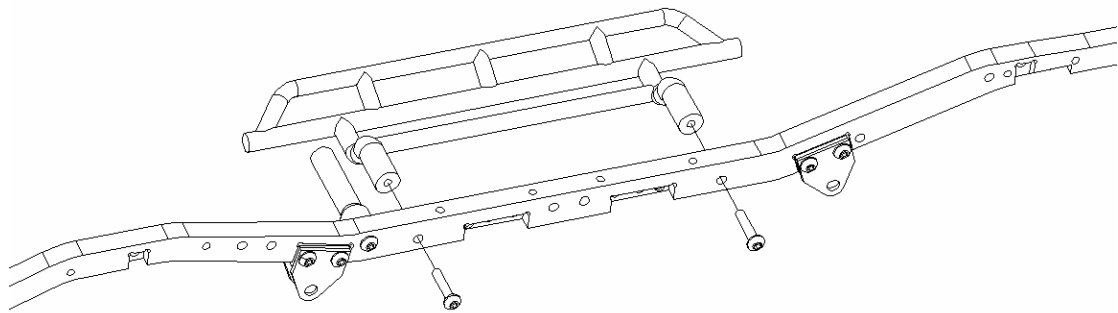
## Plastic parts can be found in parts Bag D

3



M3 x 14mm

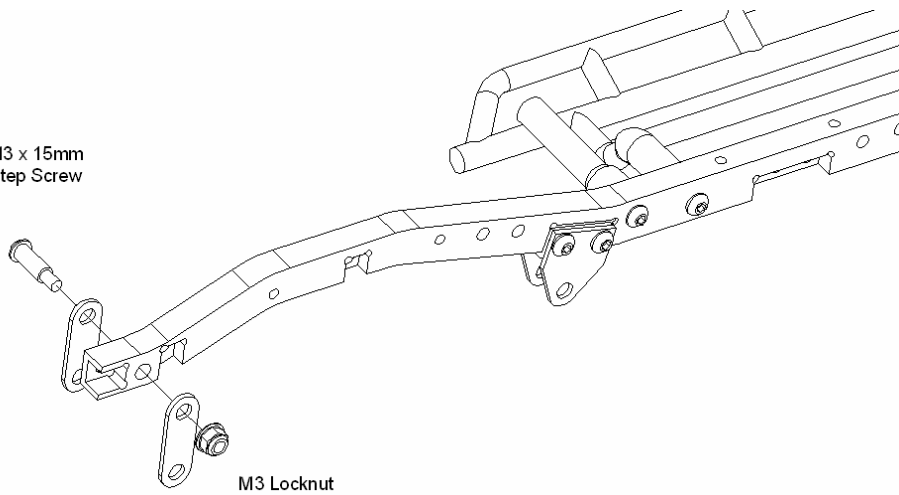
4



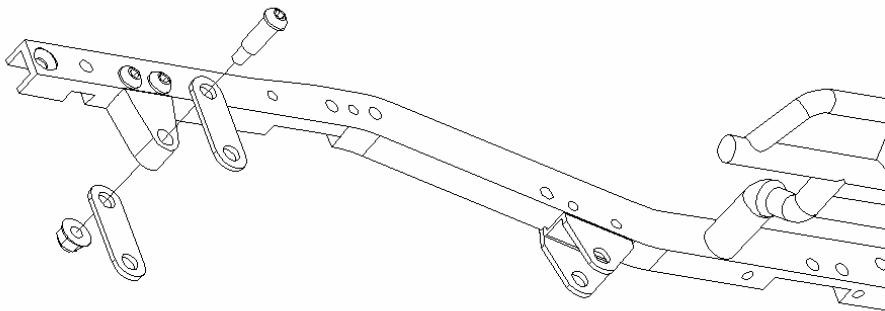
M3 x 12mm

5

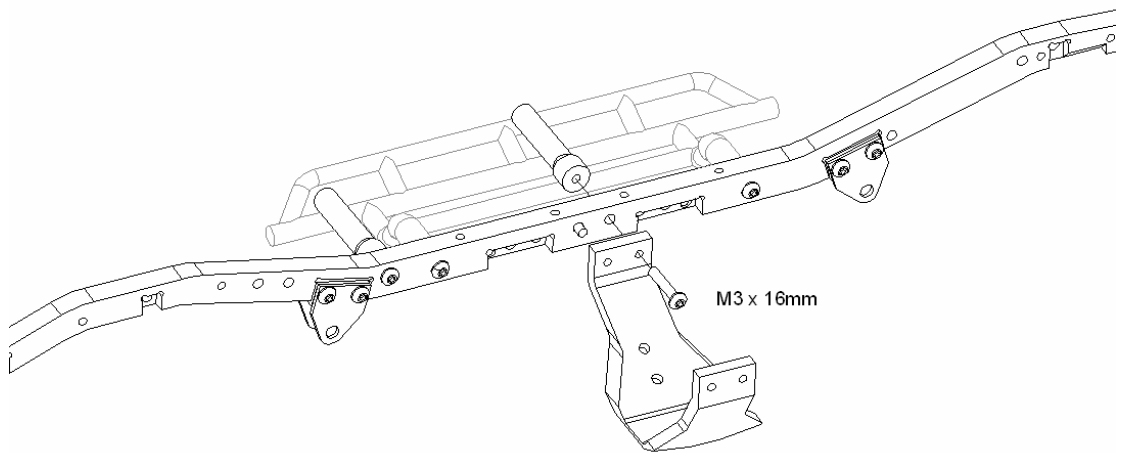
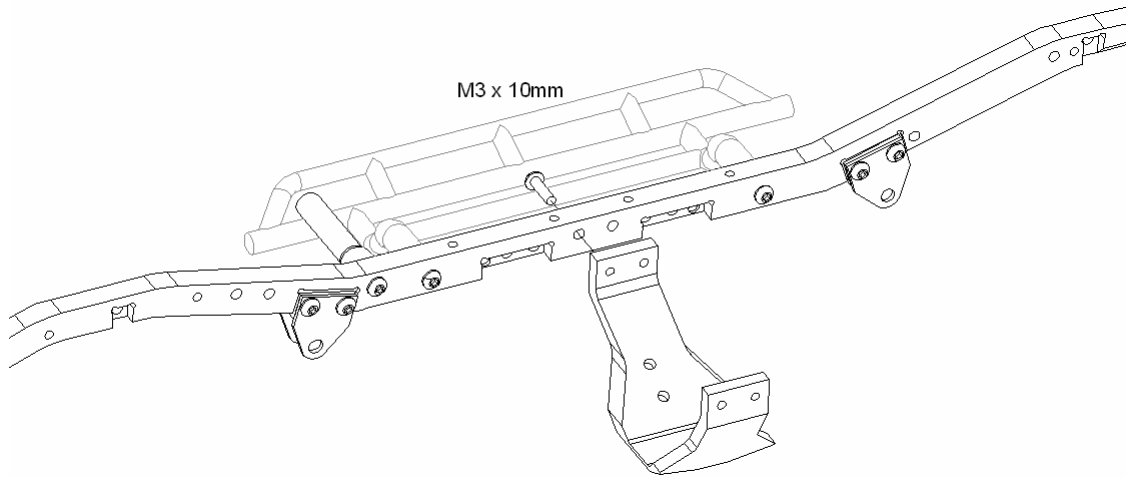
M3 x 15mm  
Step Screw



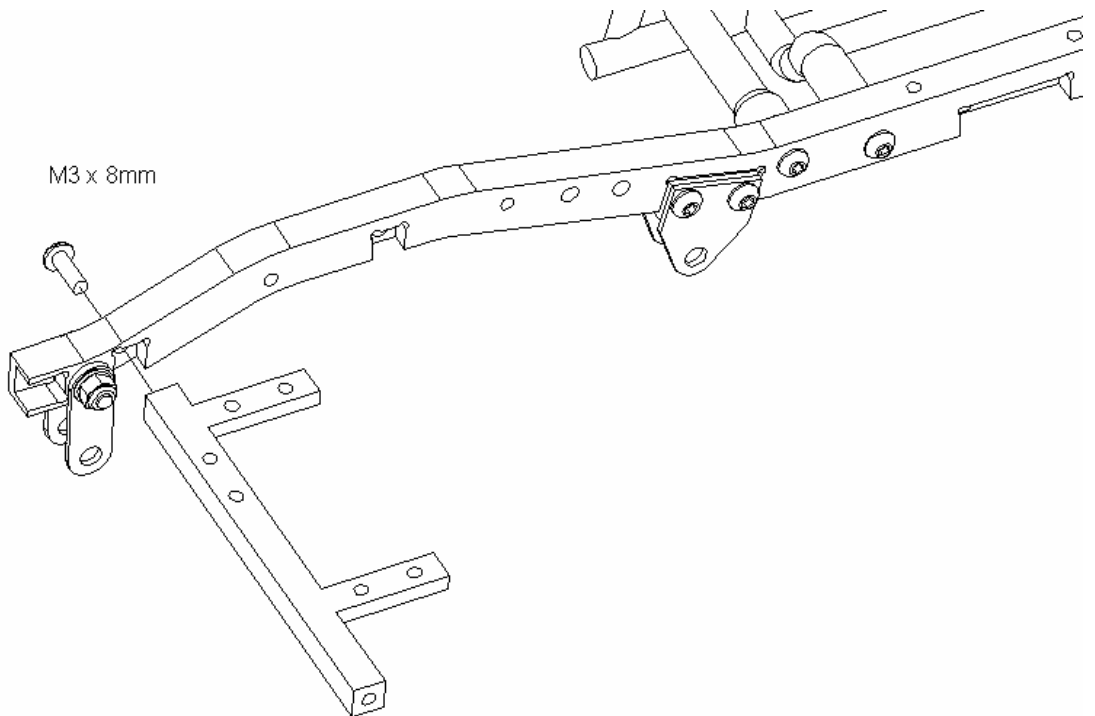
M3 Locknut



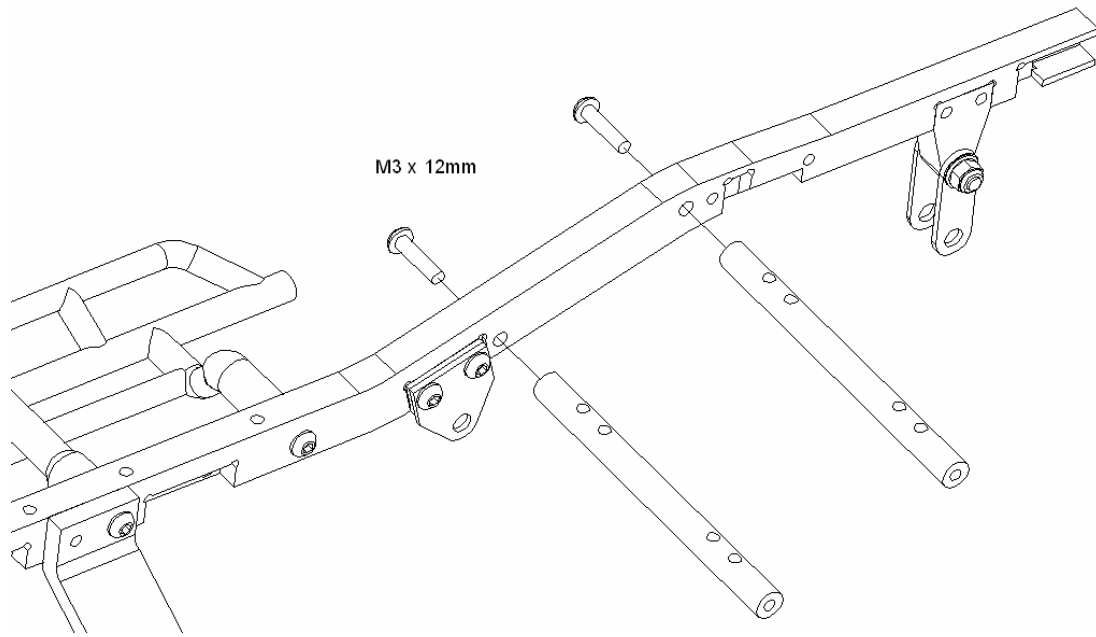
6 \*



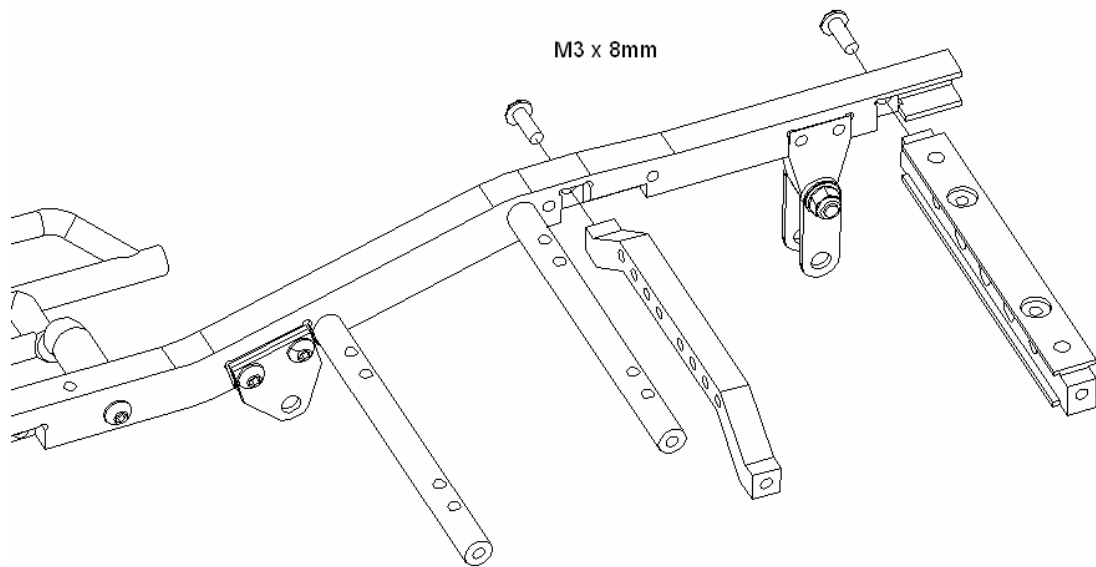
7 \*



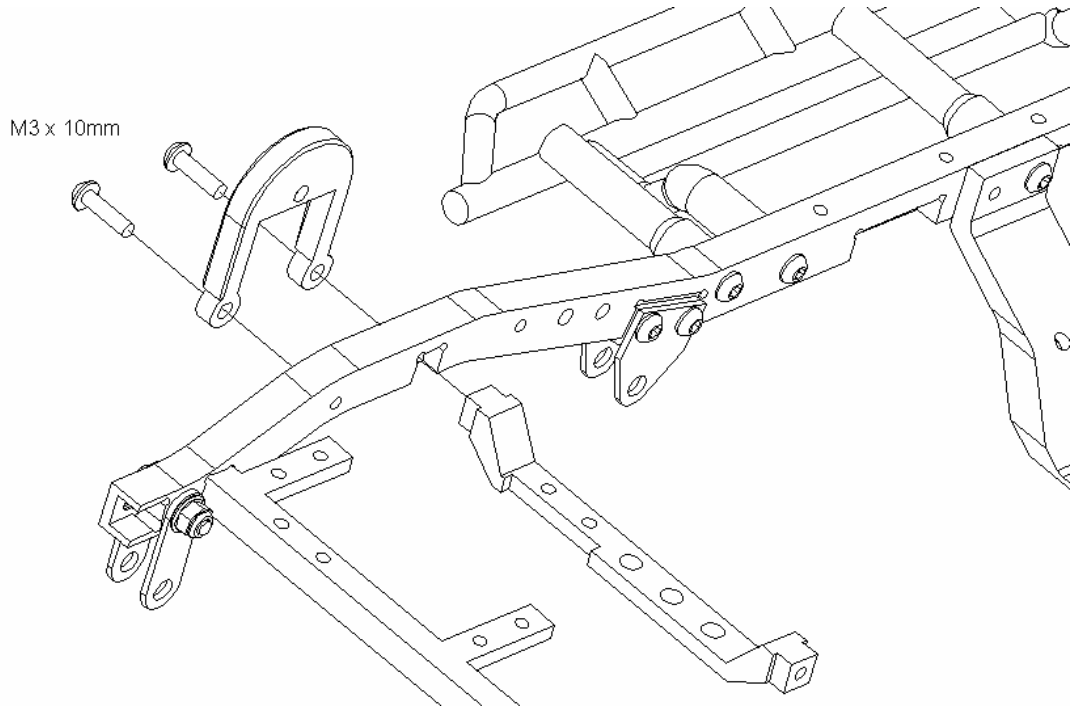
8 \*



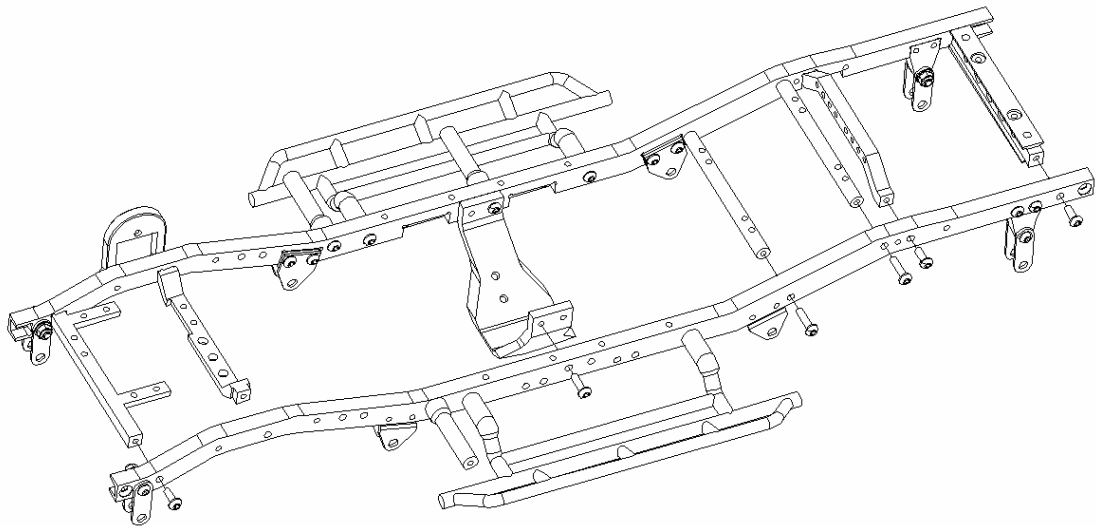
9 \*



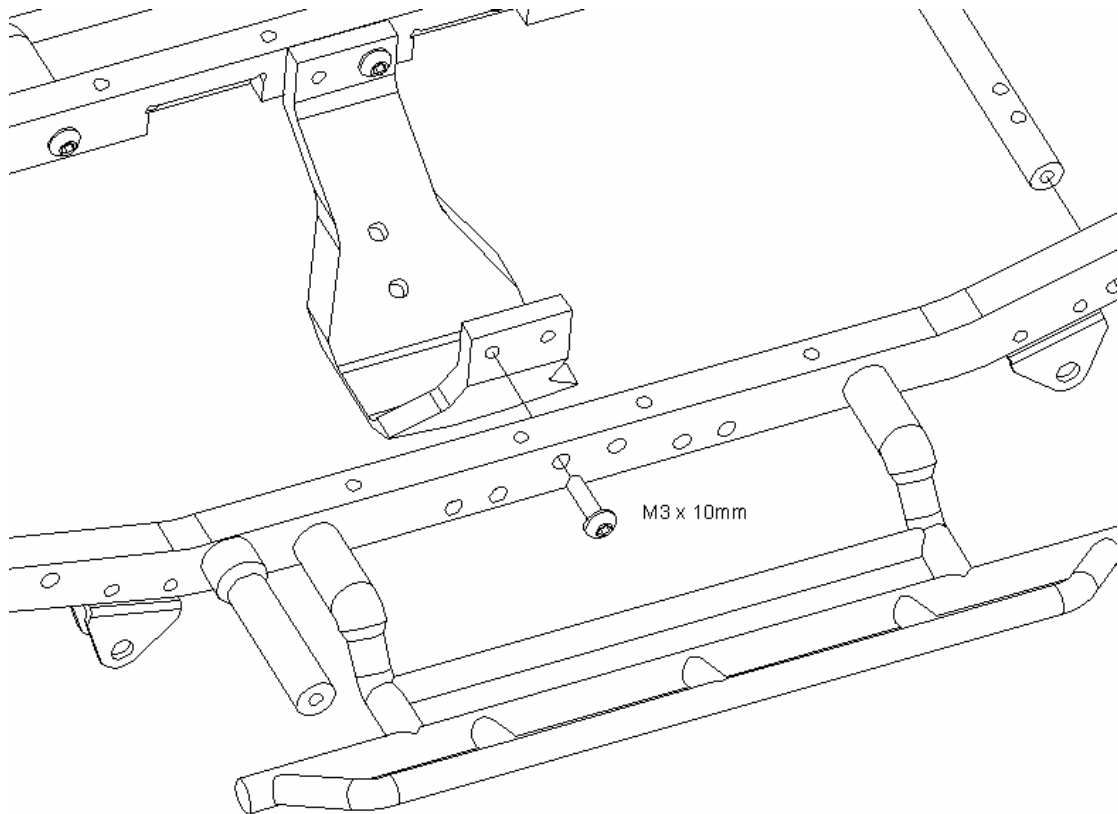
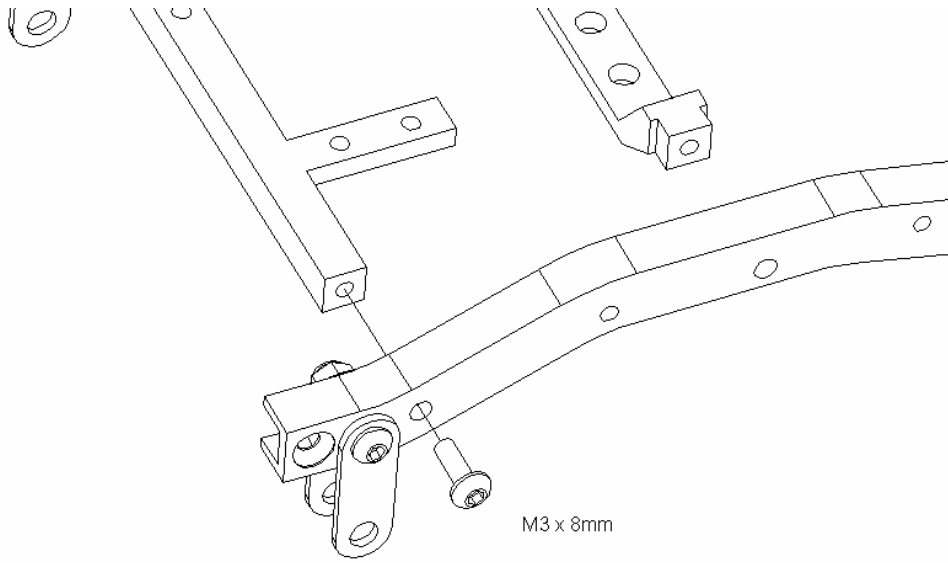
10 \*

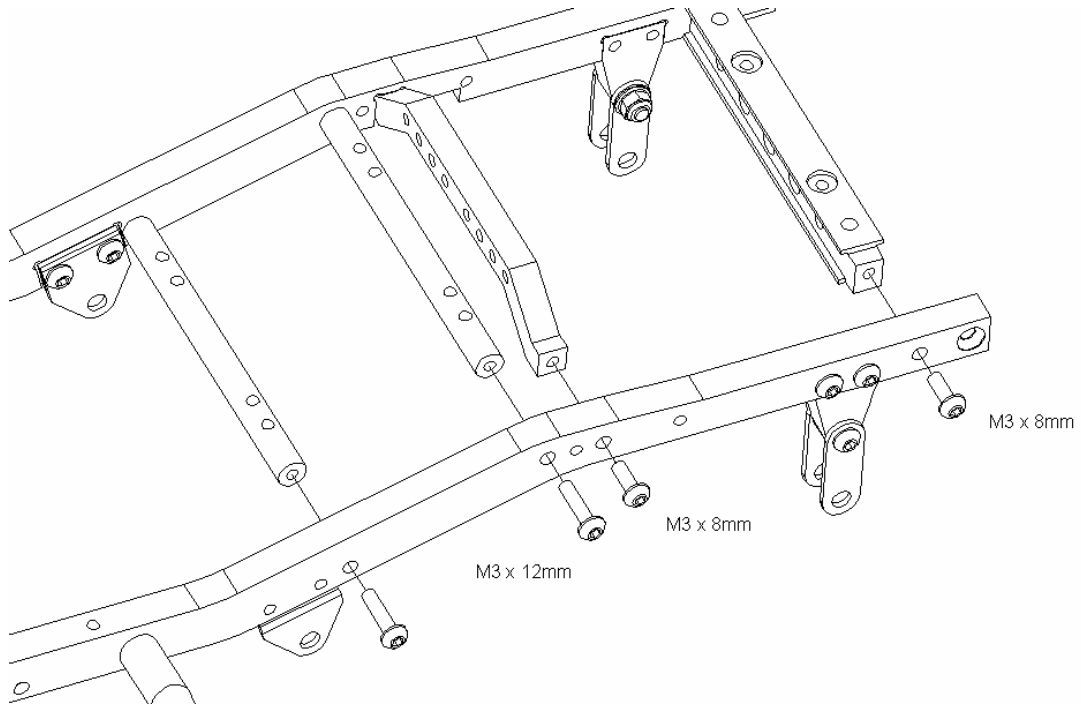


11 \*

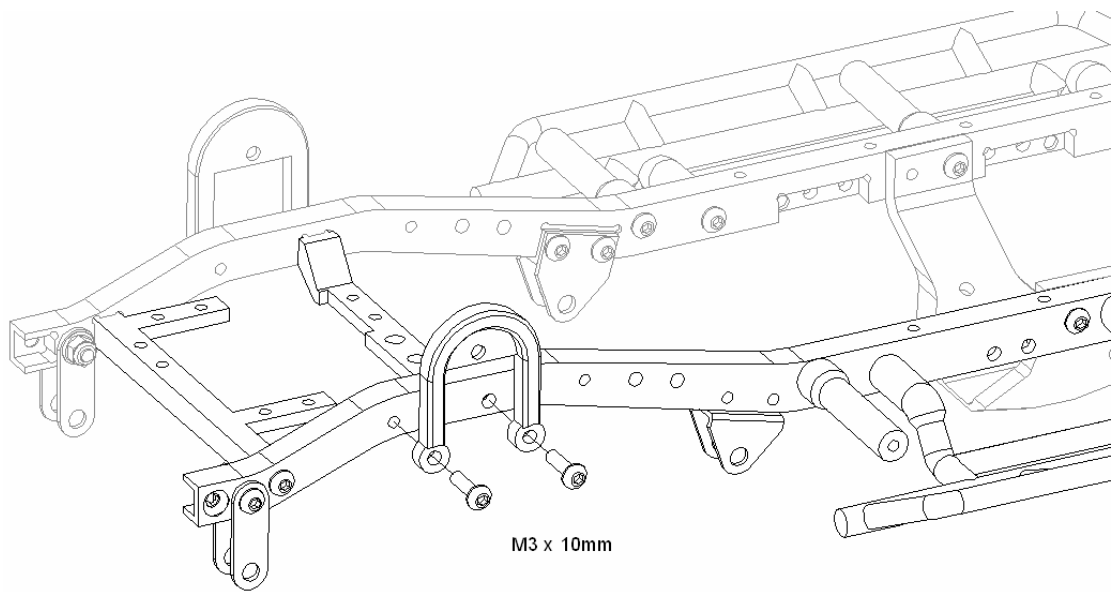




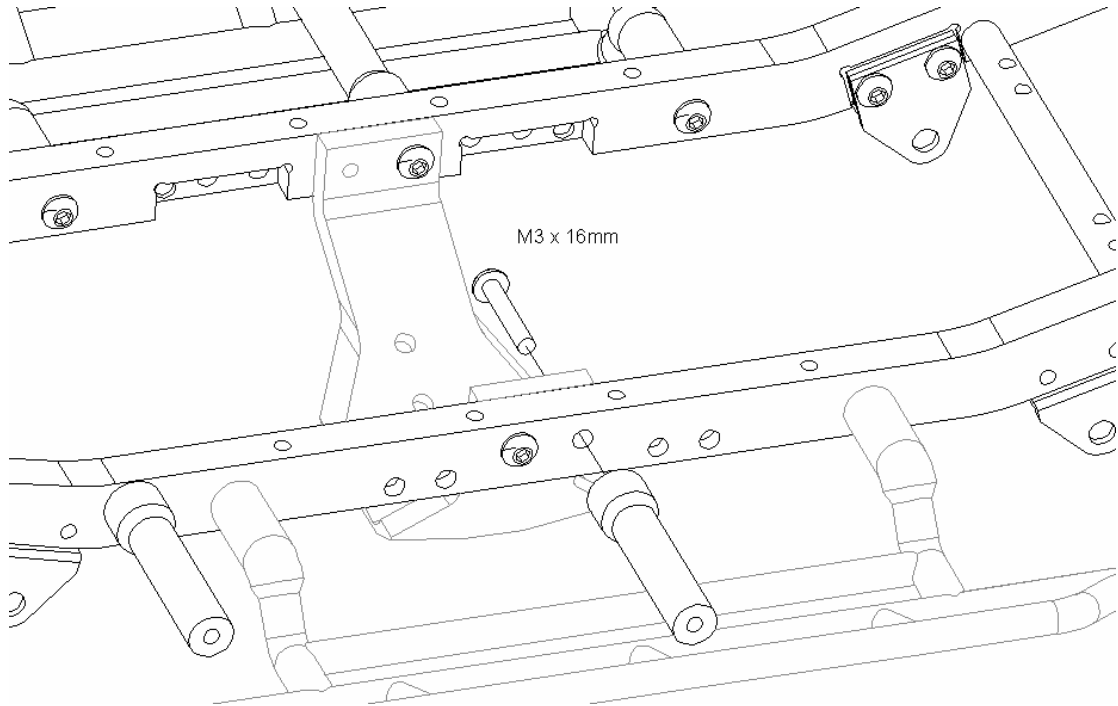




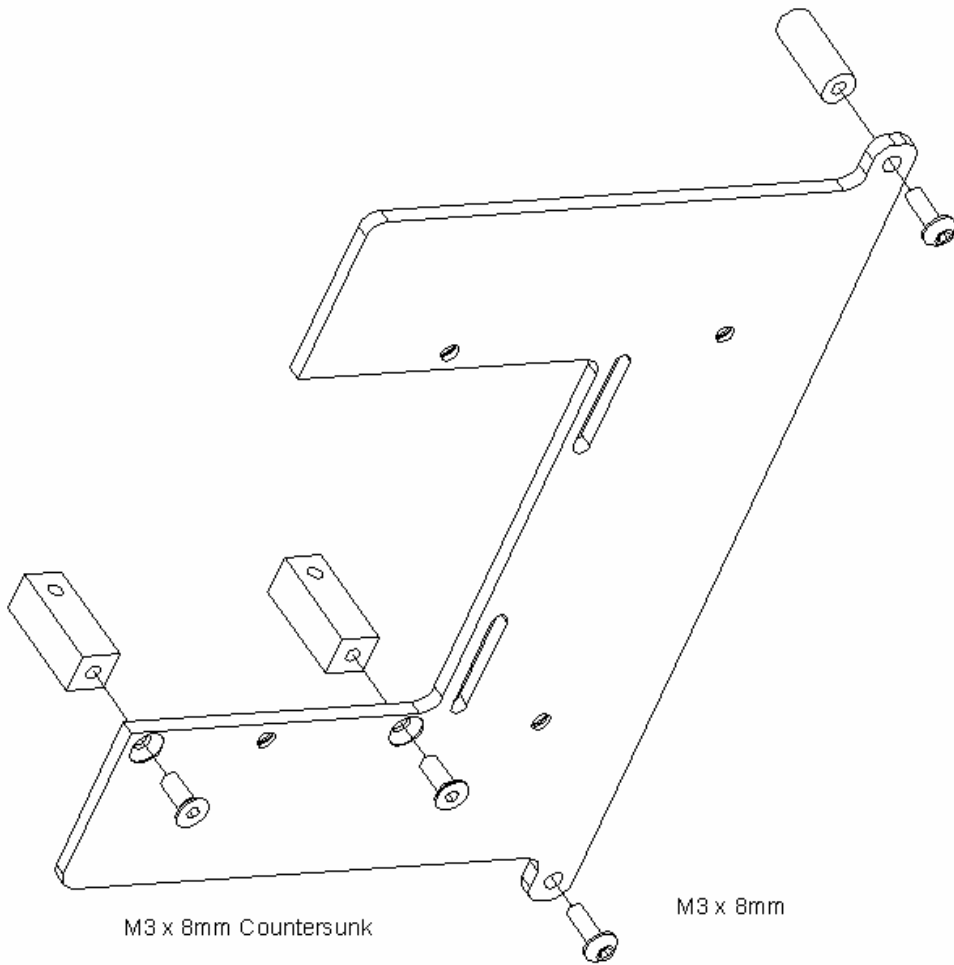
12 \*



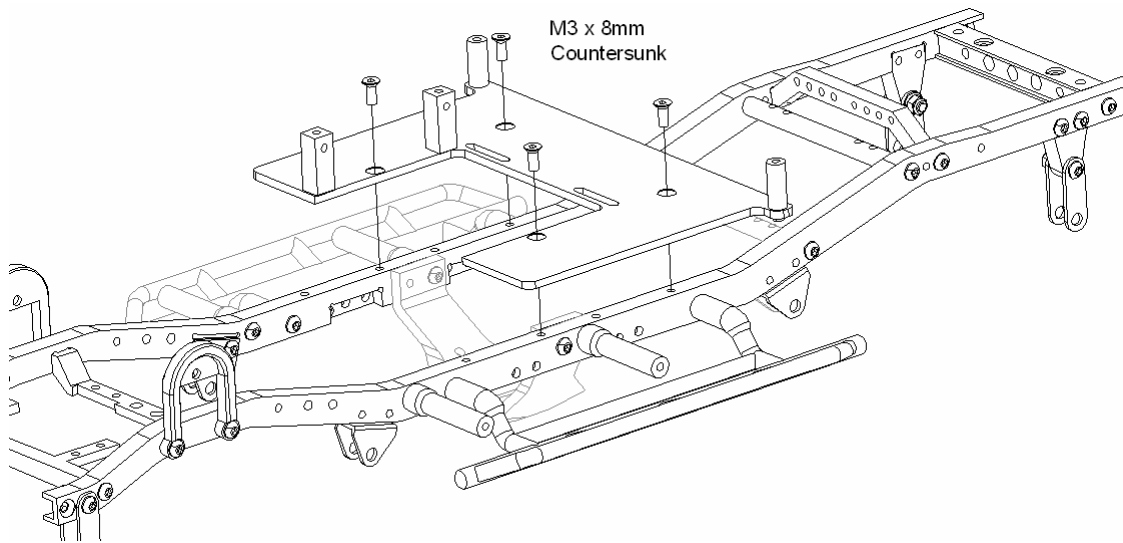
13



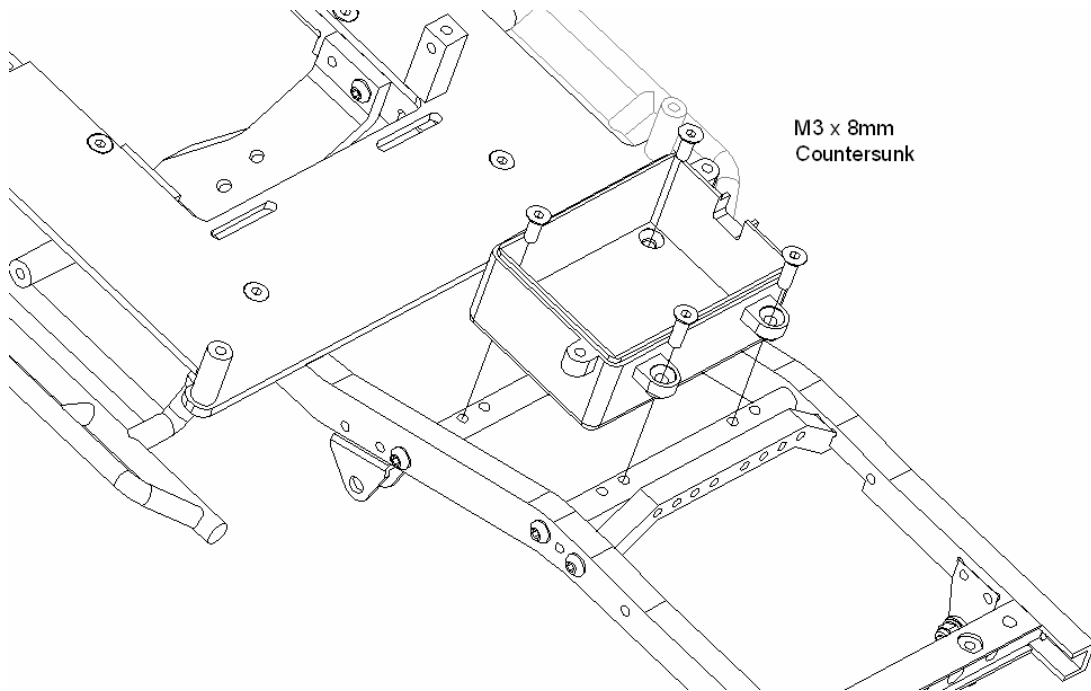
14 \*



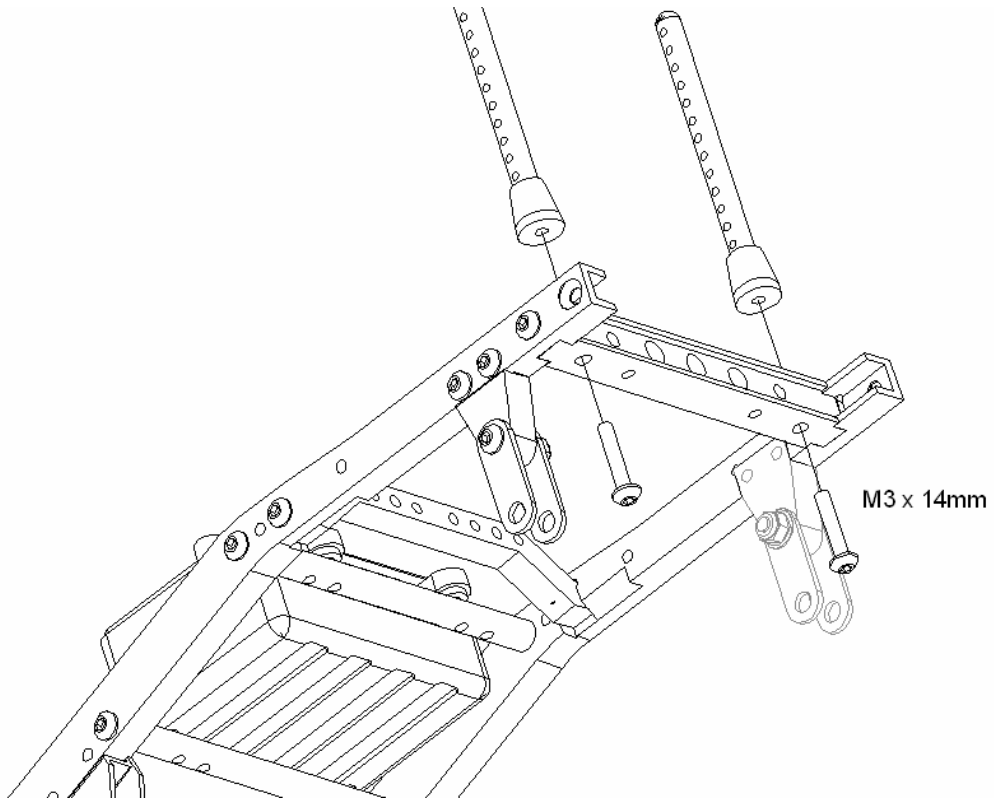
15 \*



16

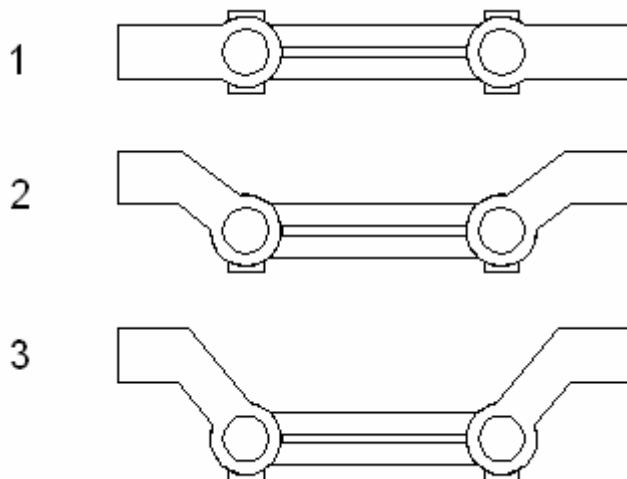


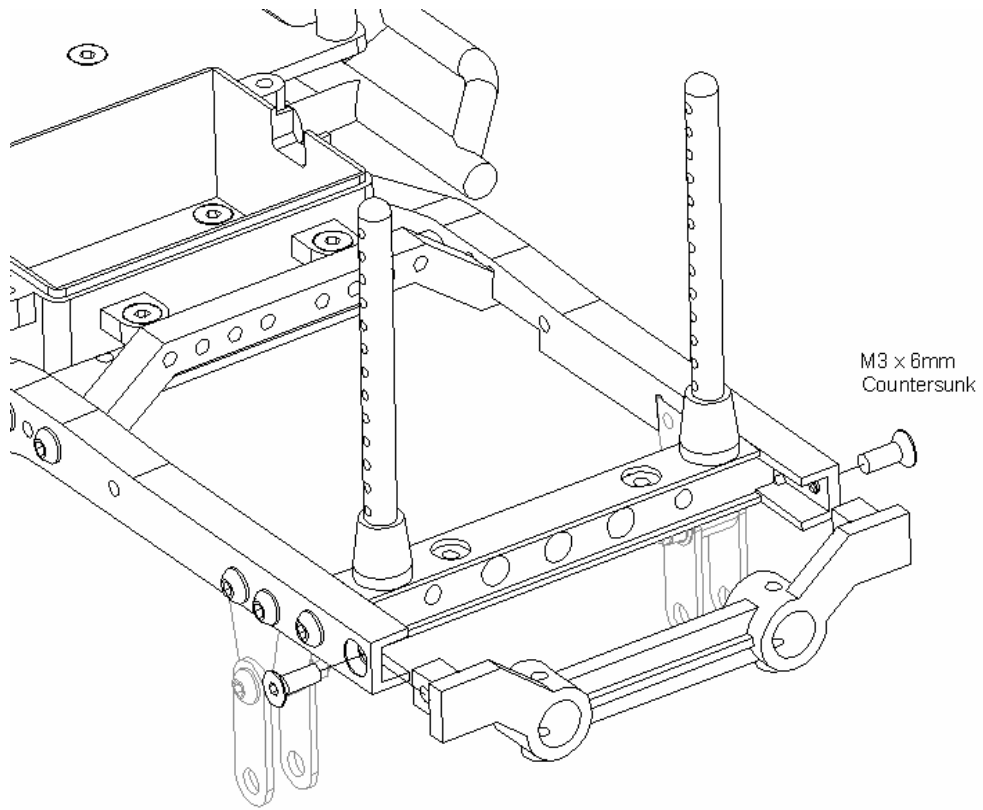
17



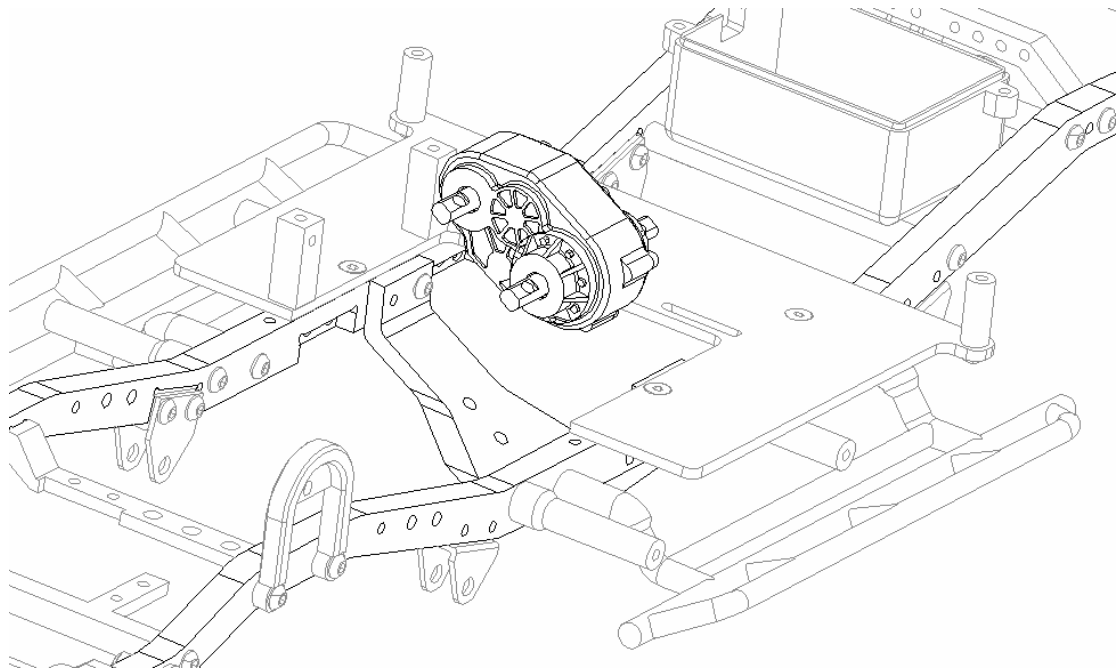
18

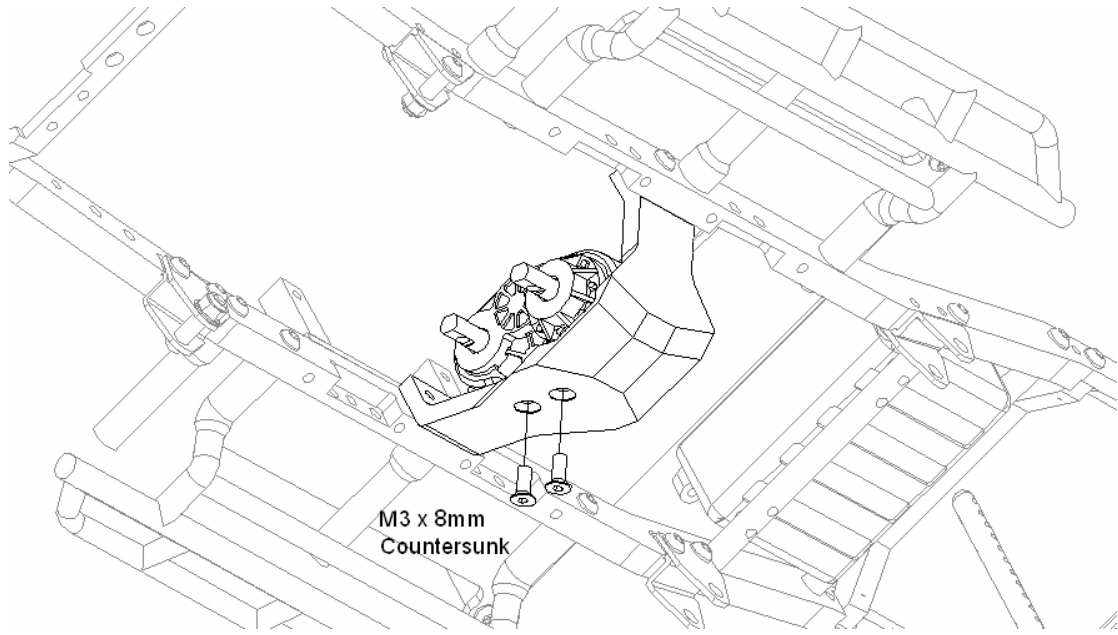
Attach bumper mount 2 on the rear of the chassis

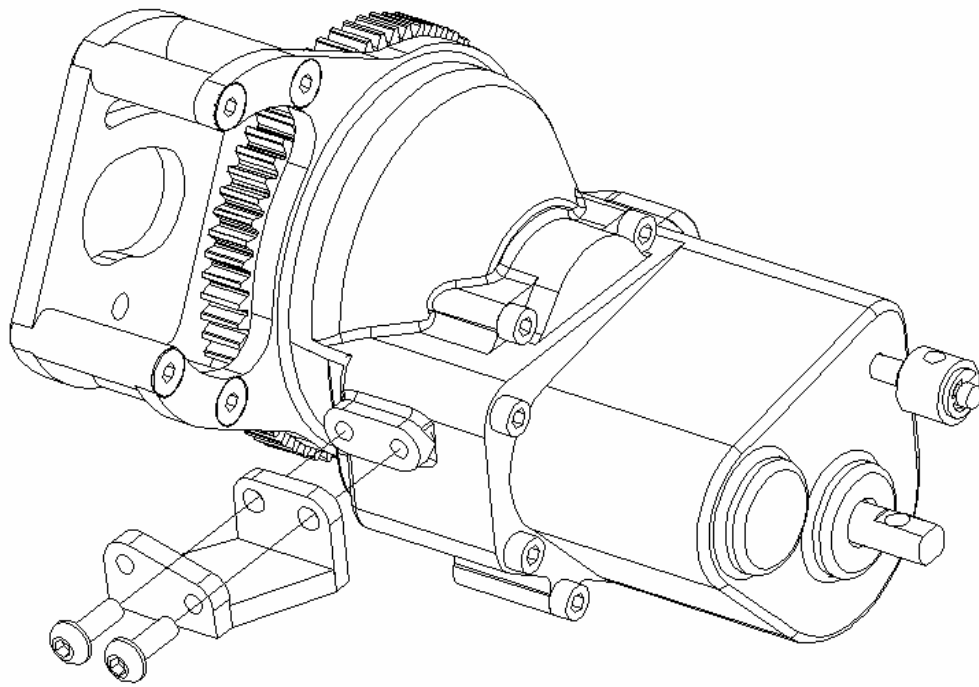




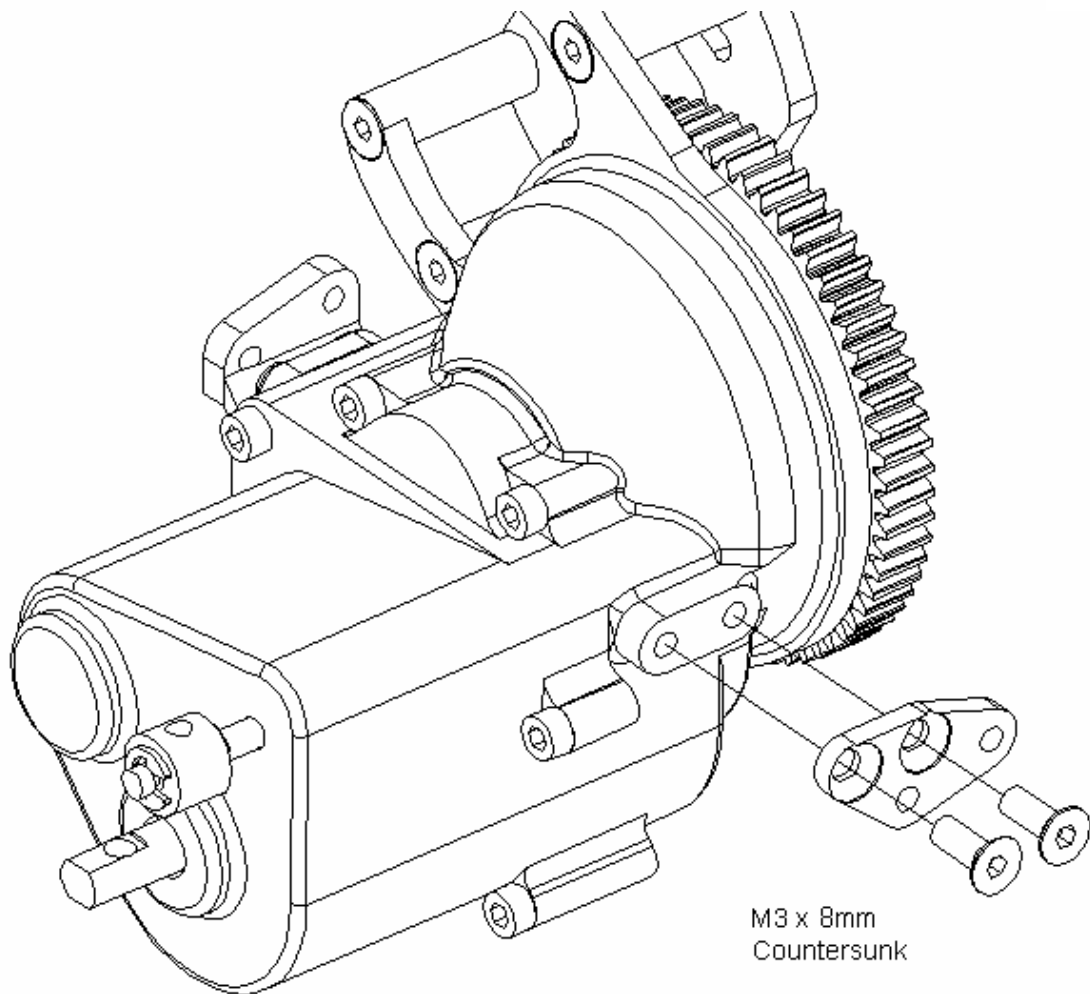
19 \*







M3 x 8mm



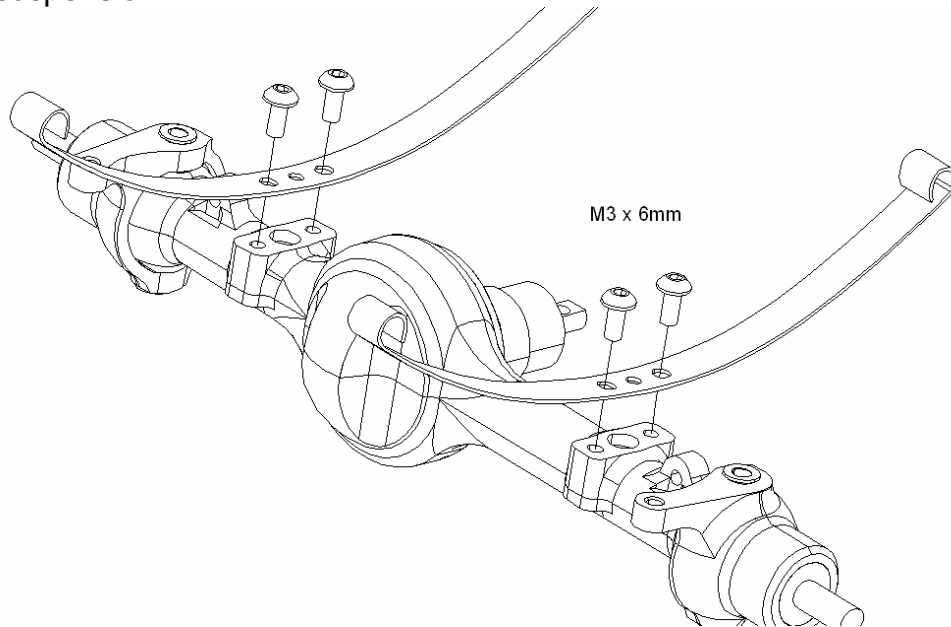
M3 x 8mm  
Countersunk



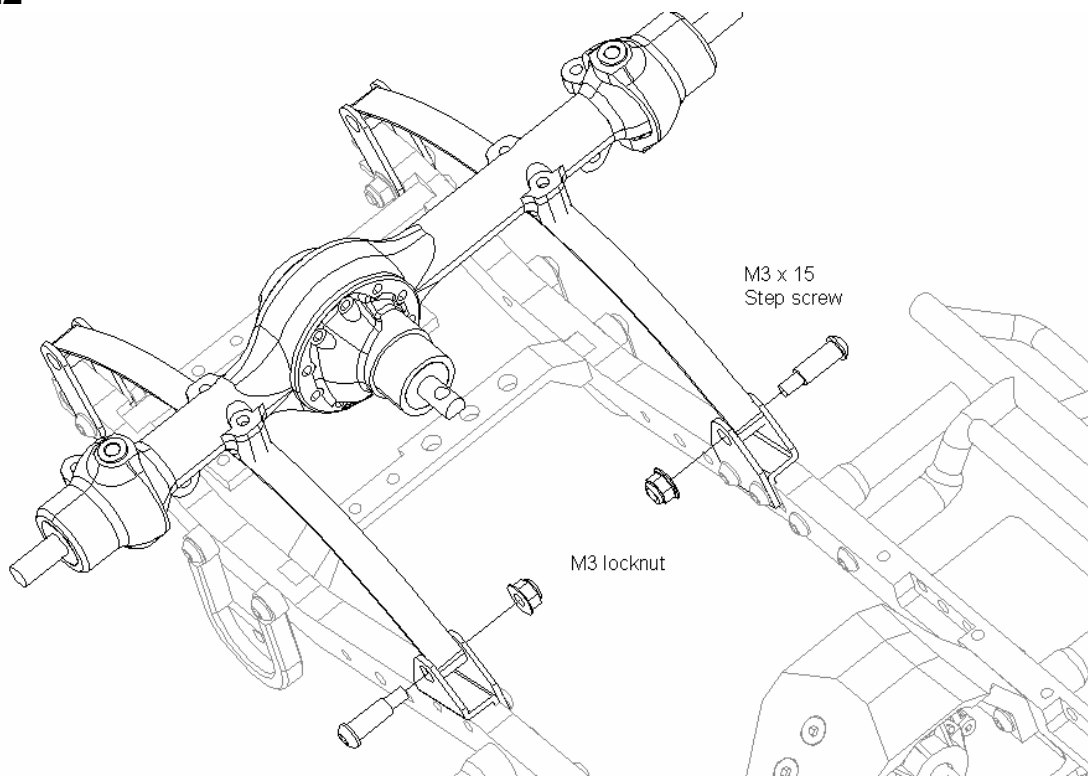
## 21

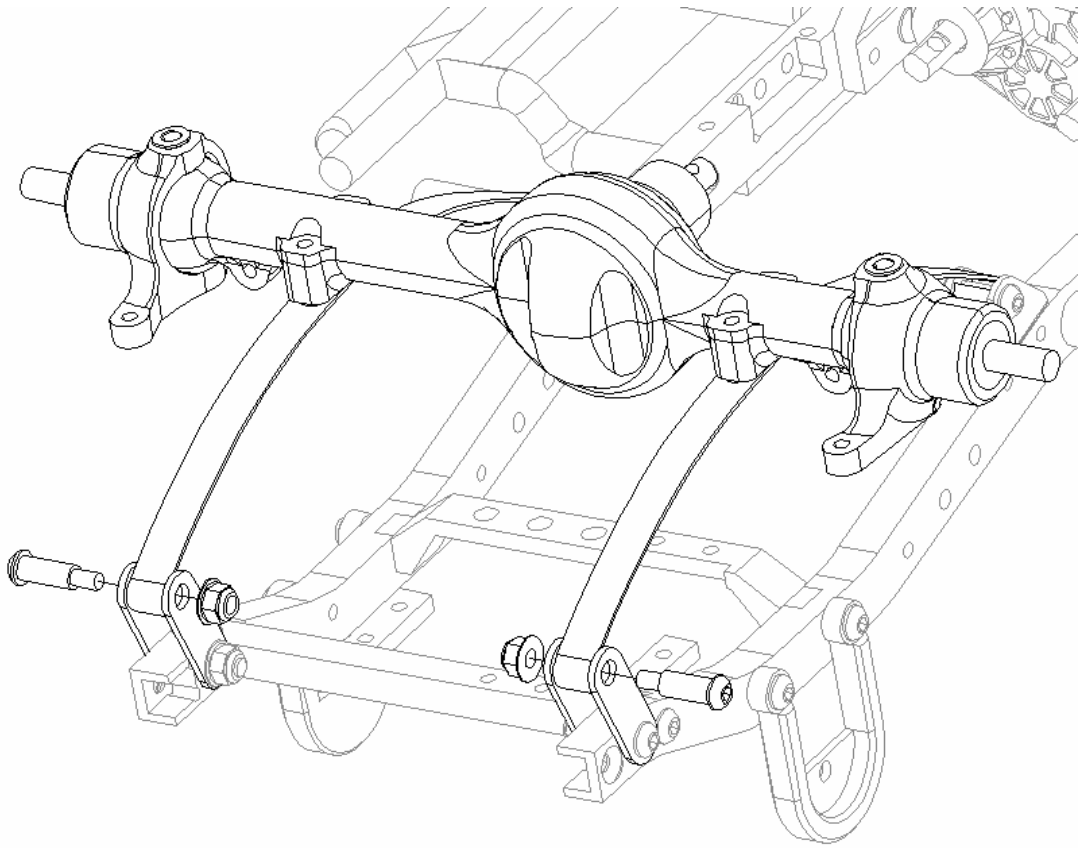
### Attach leaf springs to front and rear axles

**Note:** The smaller helper leaves can be fitted below the main leaf to stiffen the suspension

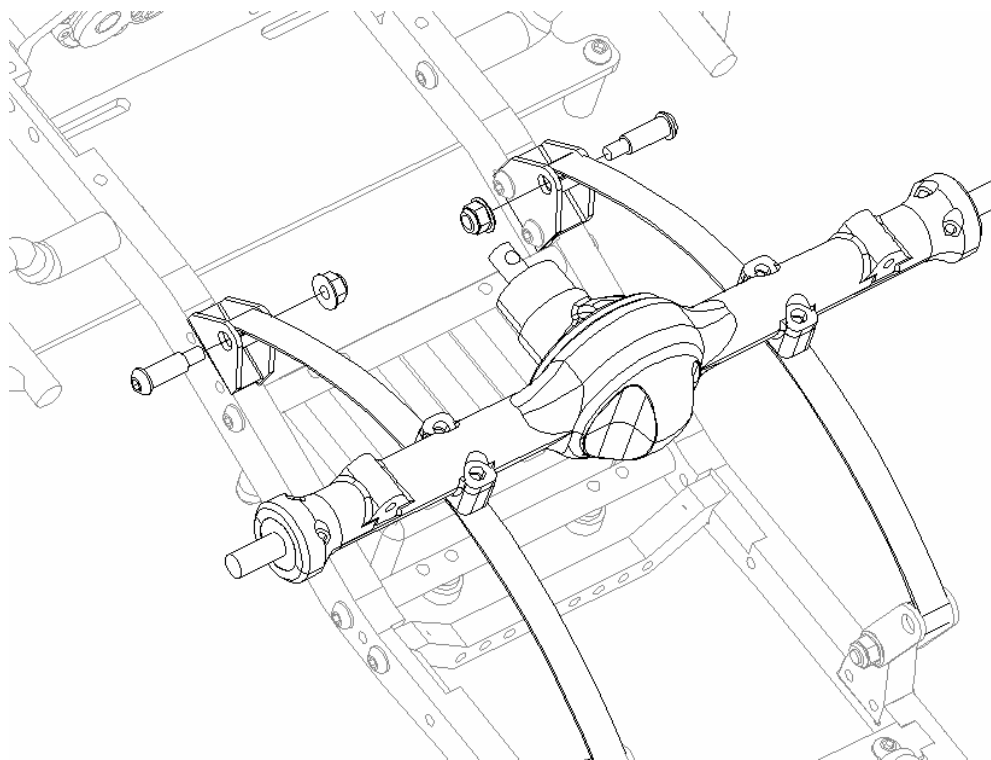


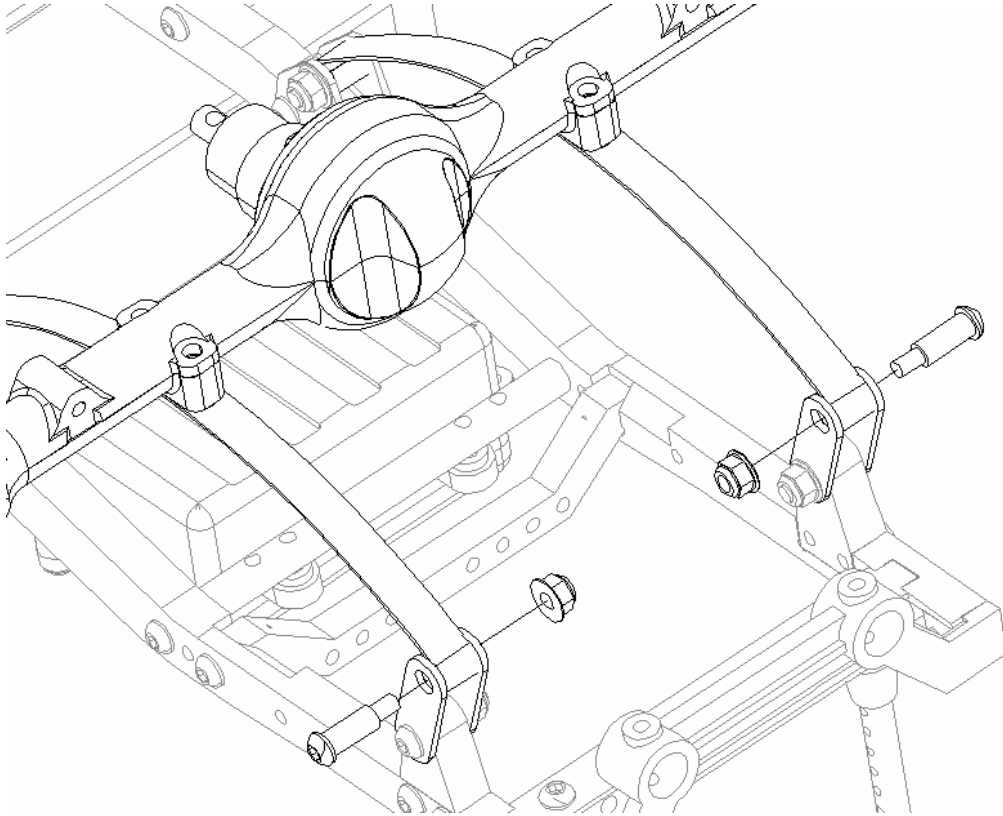
## 22



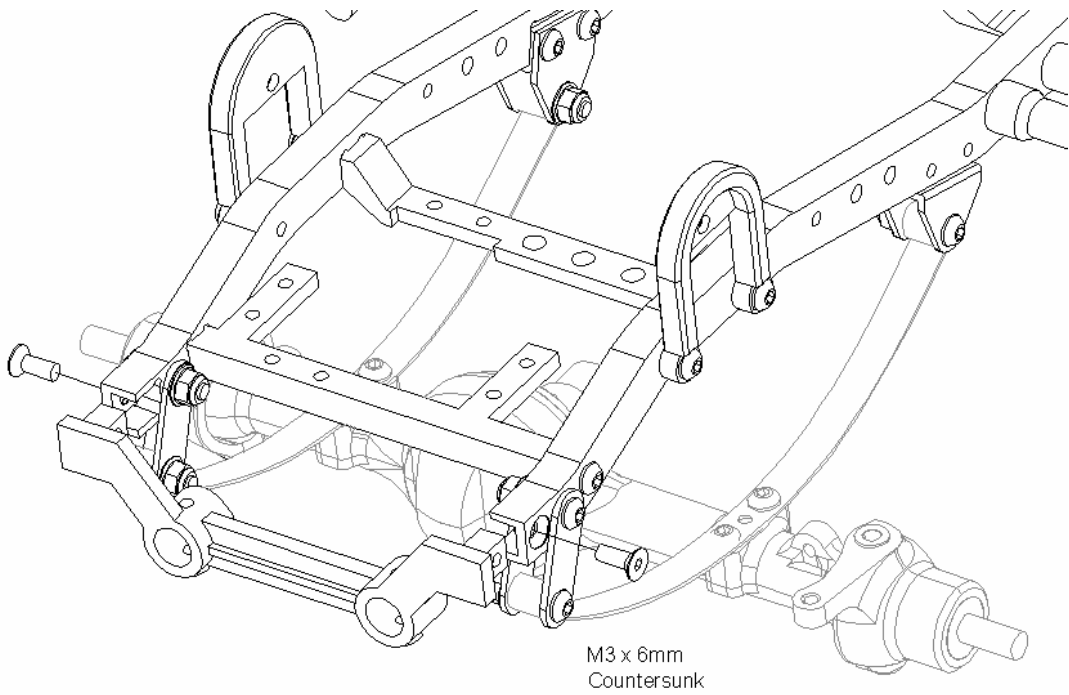


23

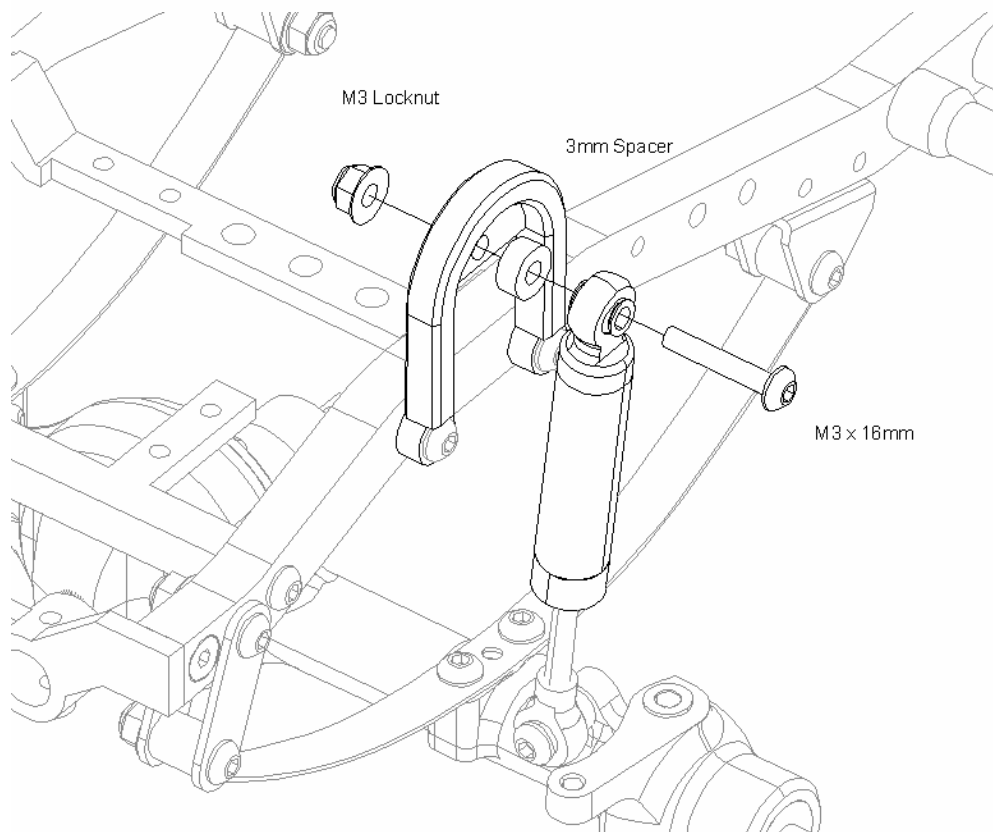
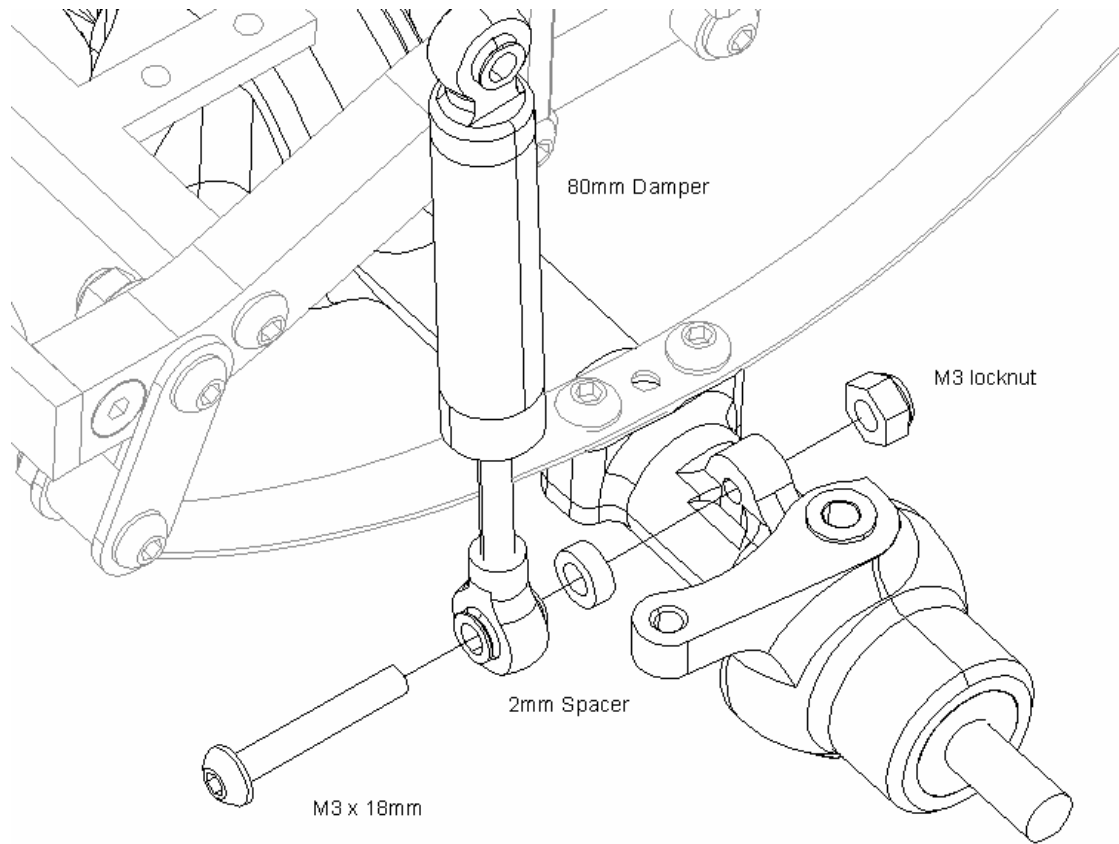




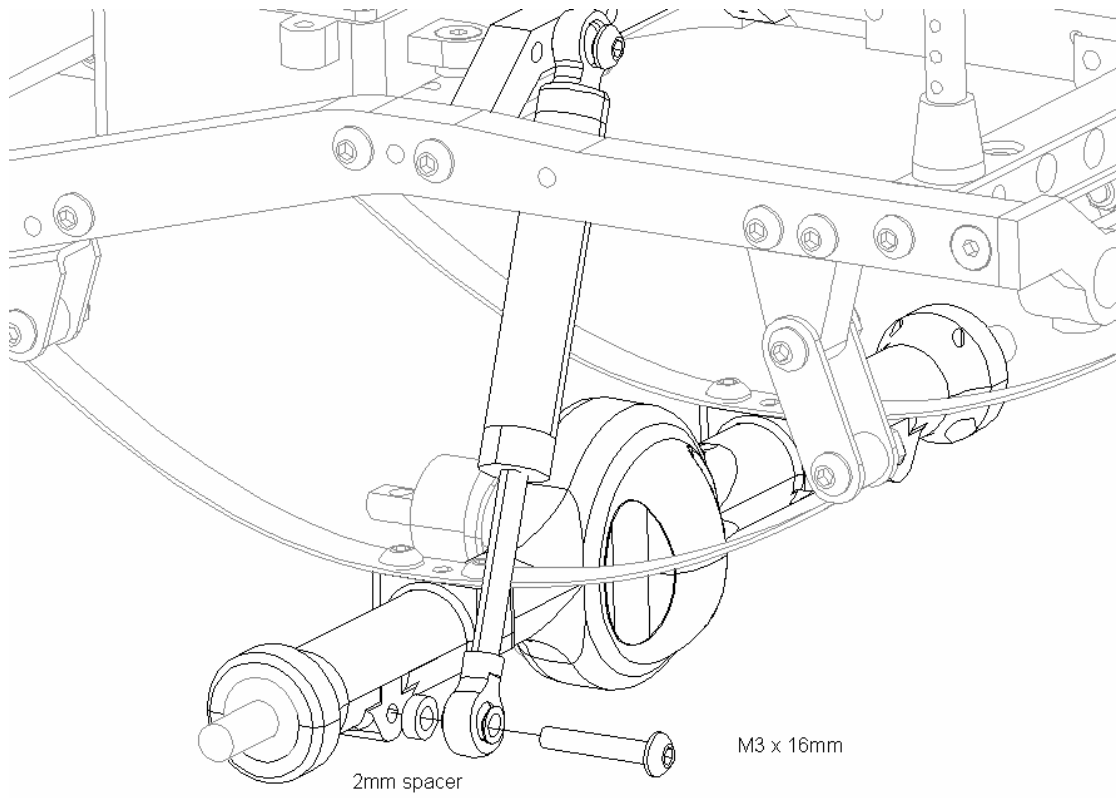
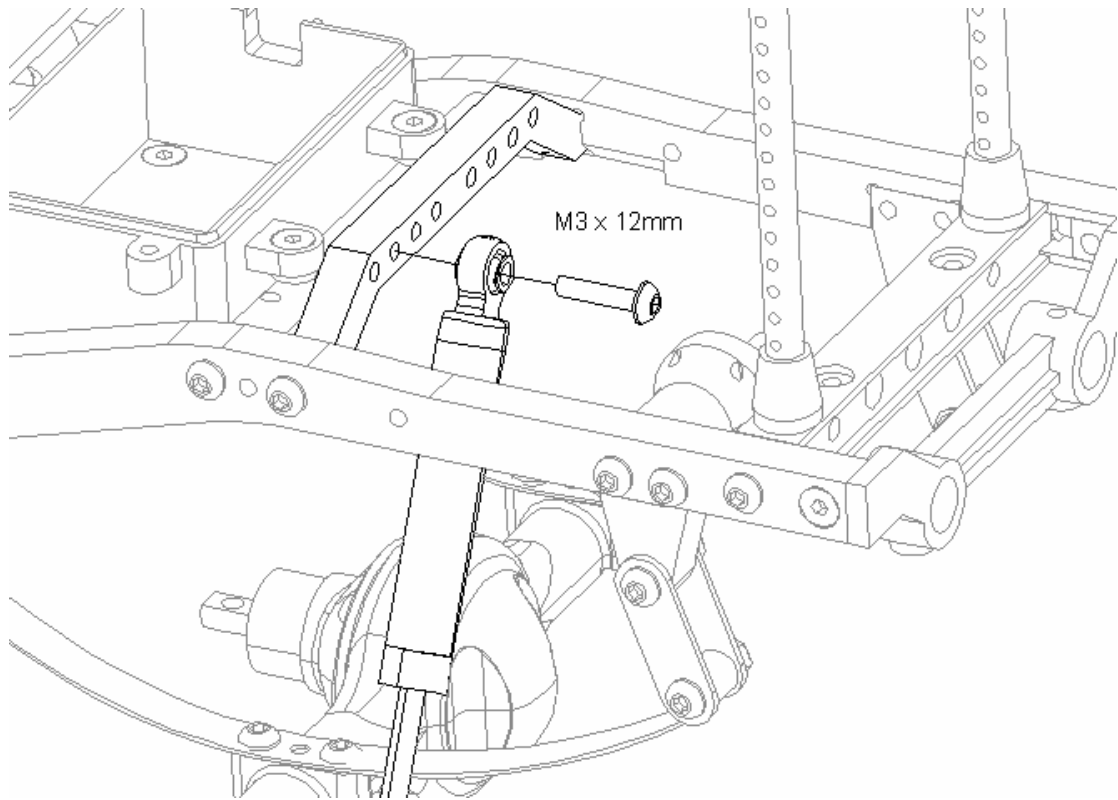
**24**  
**Attach bumper mount 3 to the front of the chassis**



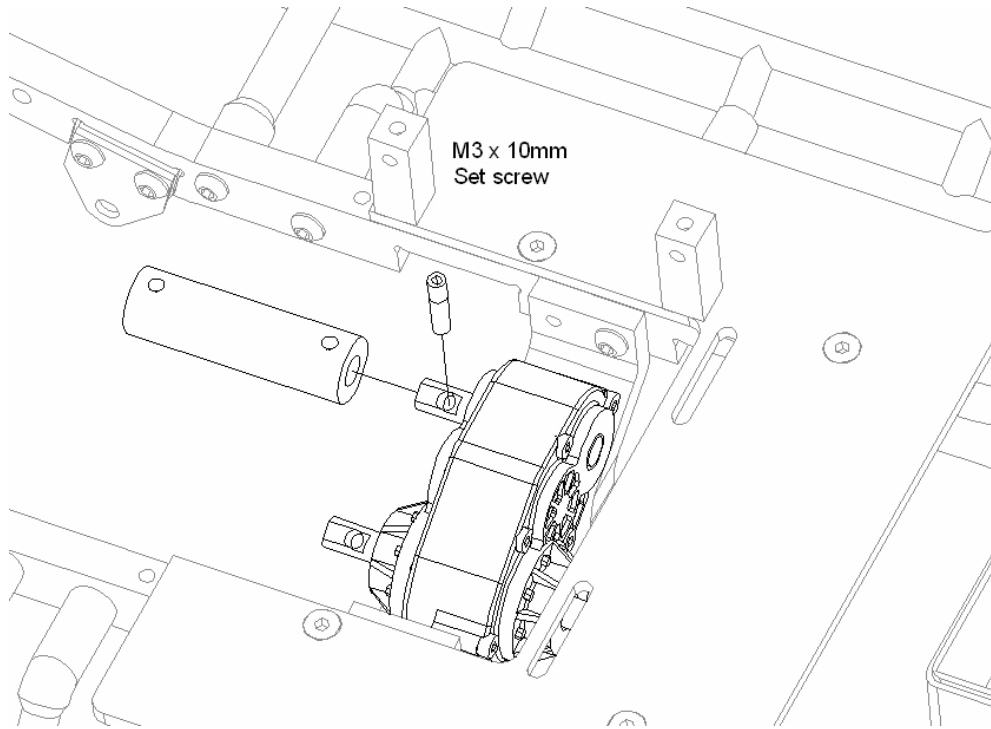
## 25 Attach dampers to both sides of the chassis



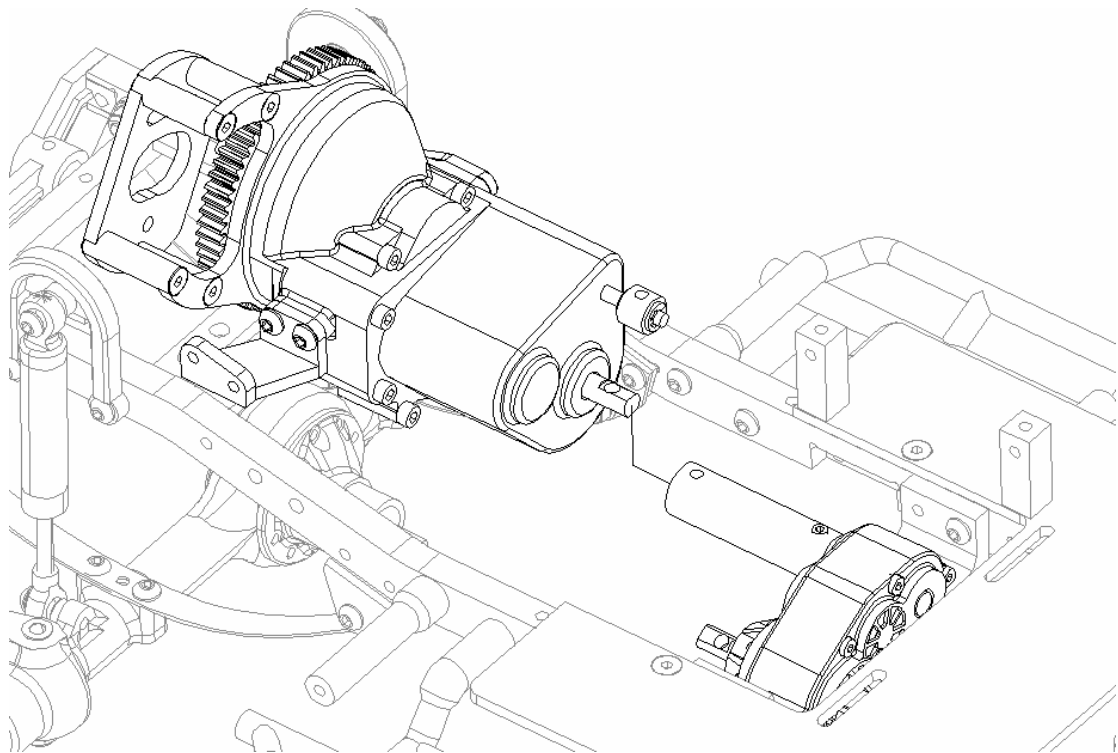
26 \*

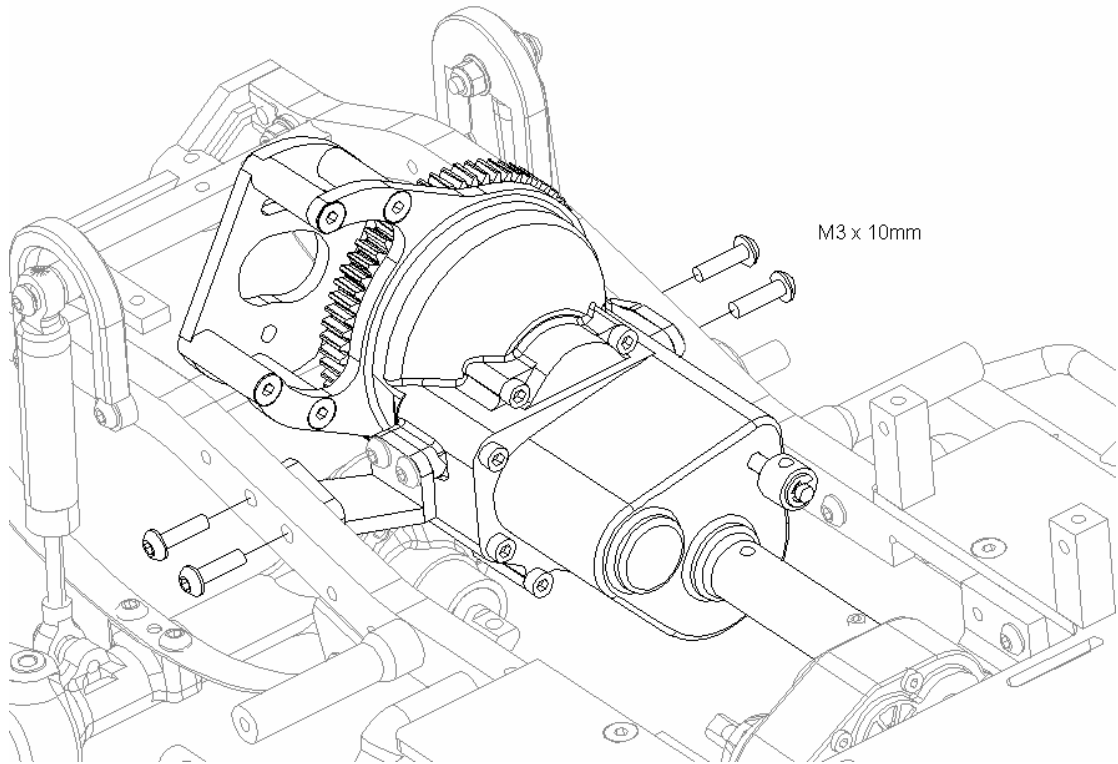


27 \*

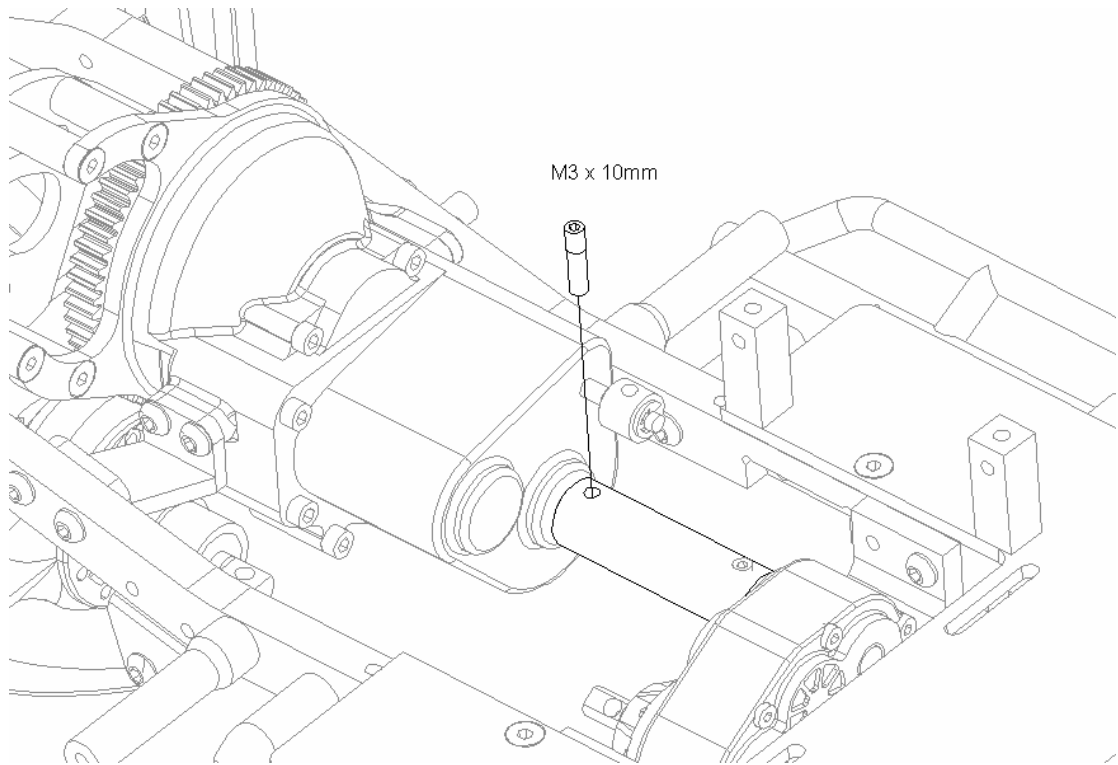


28 \*



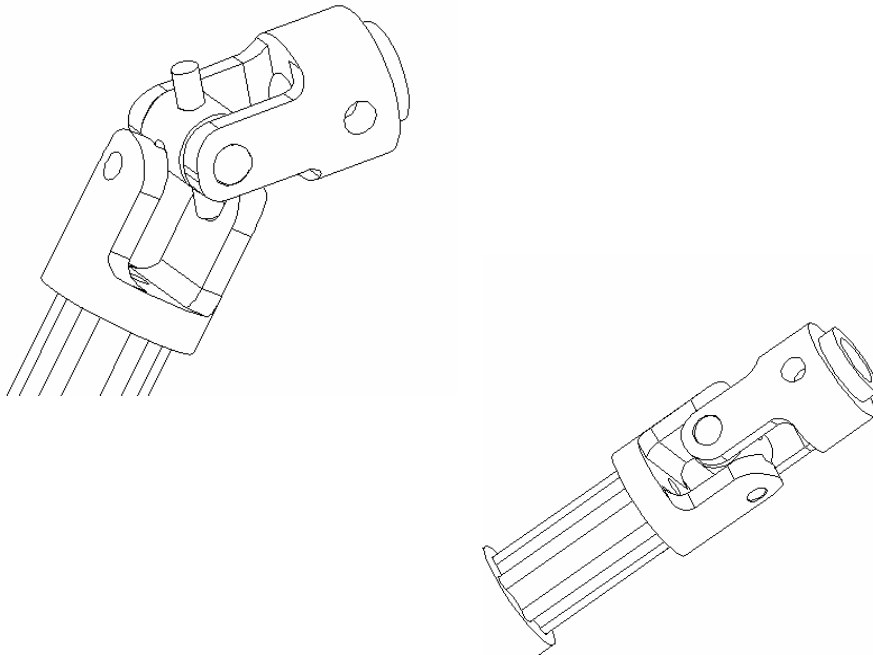


29 \*



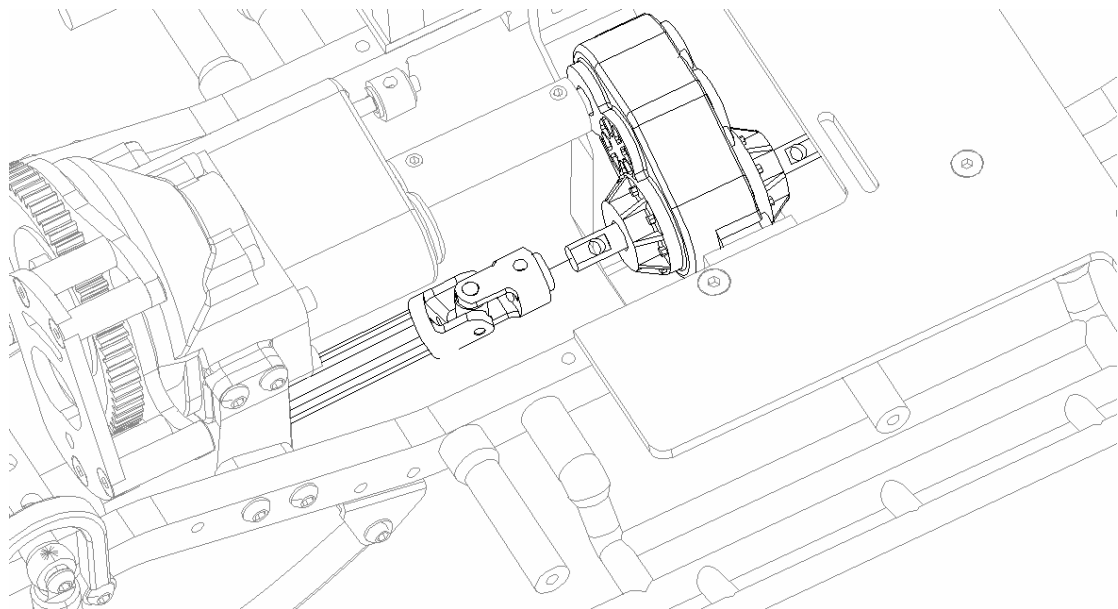
**30**

**Attach all four metal yokes to the drive shafts and assemble two drive shafts**

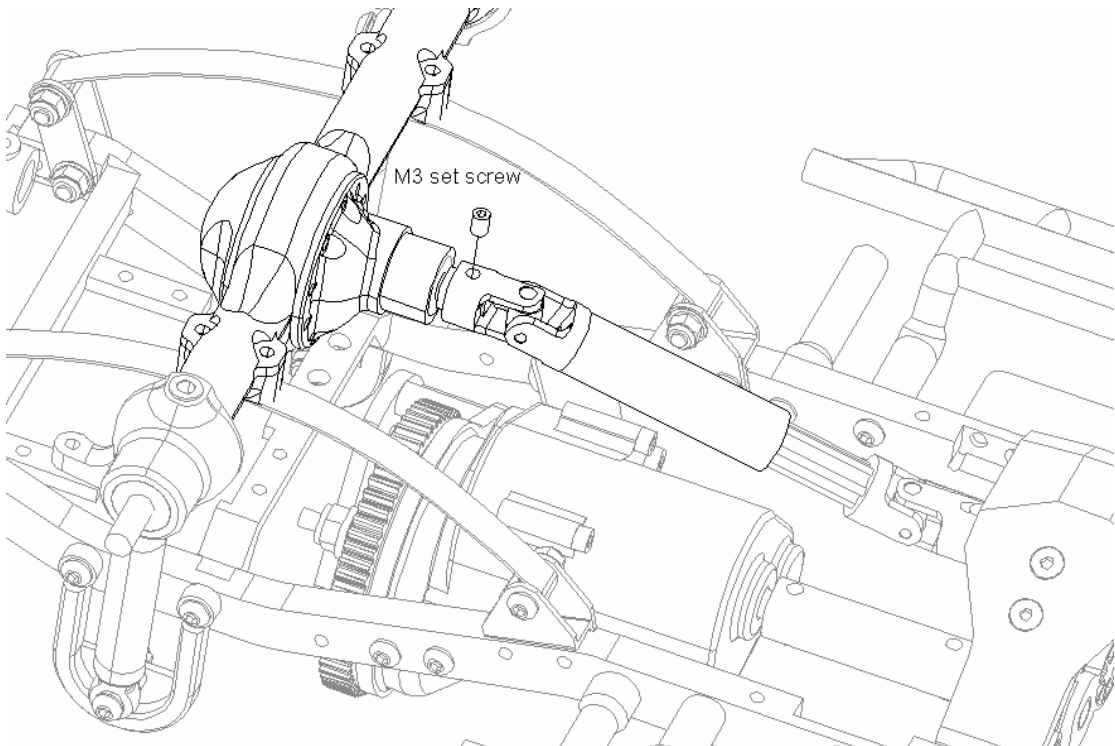
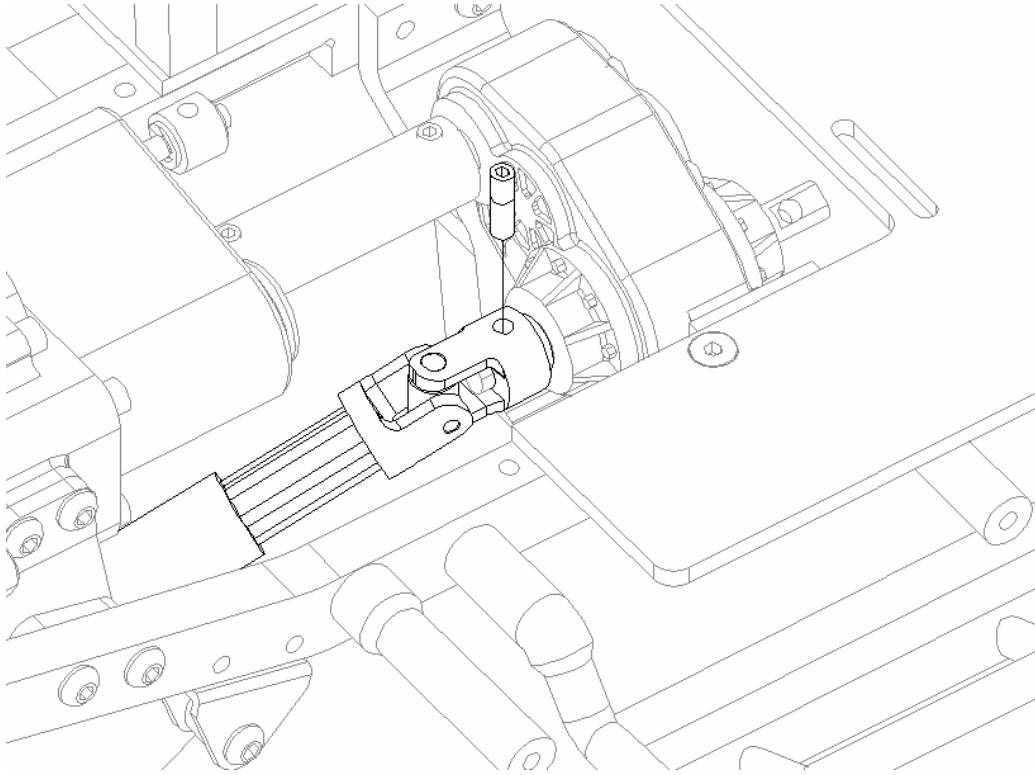


**31 \***

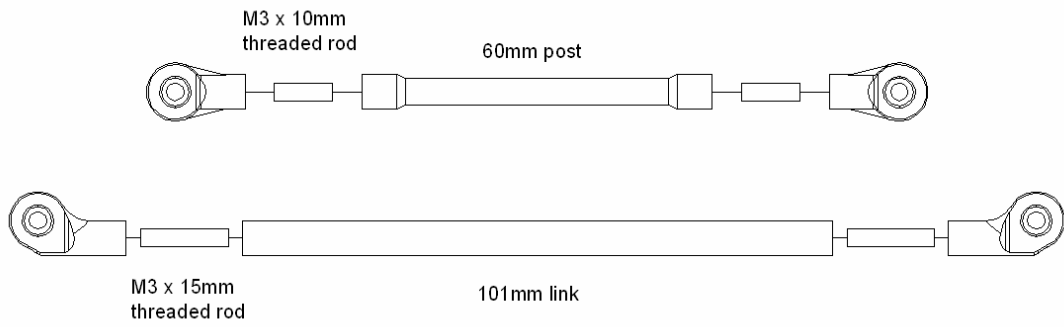
**Install both front and rear drive shafts**





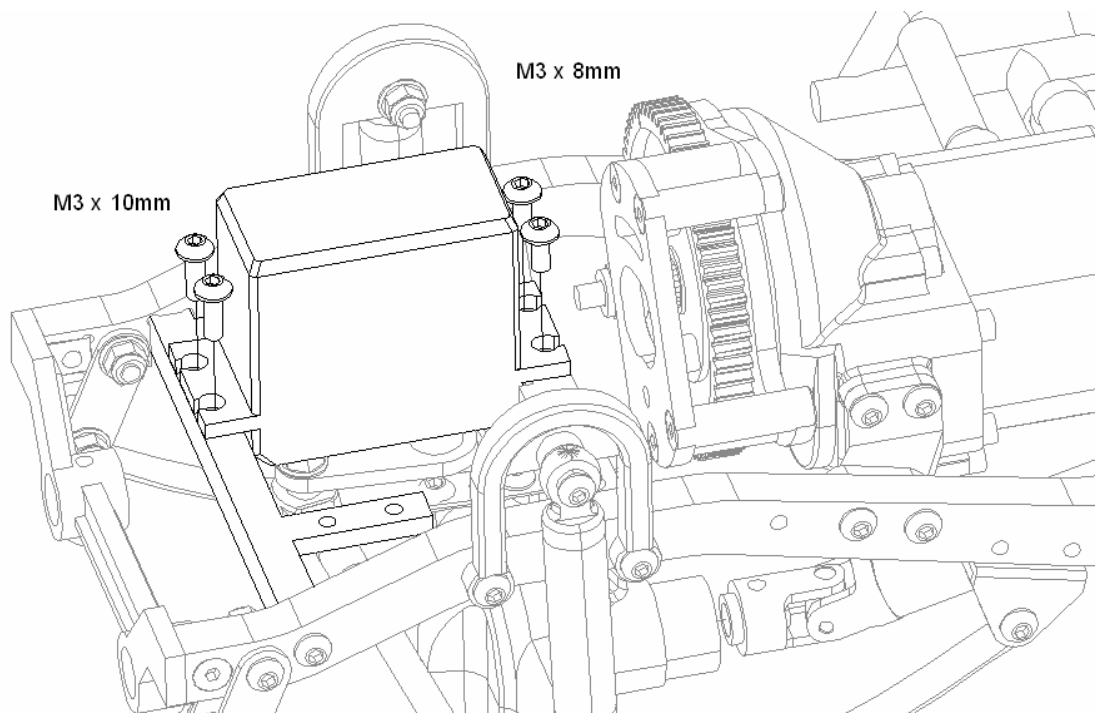
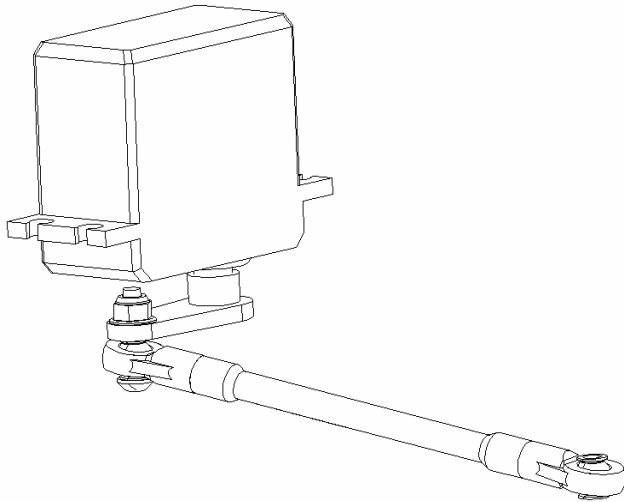


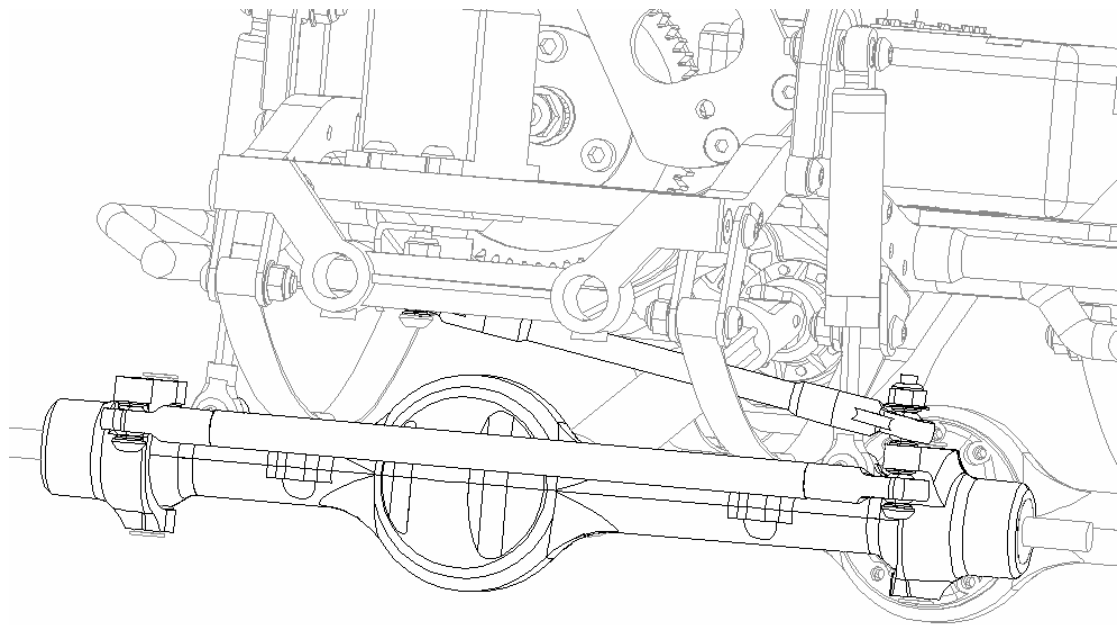
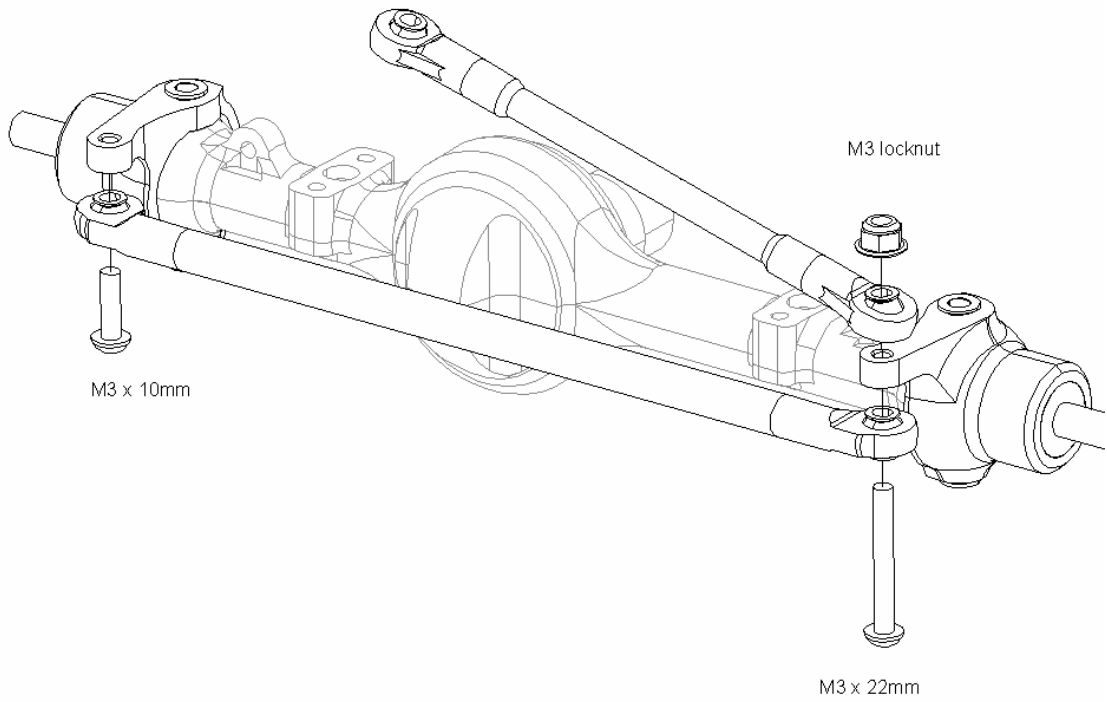
32



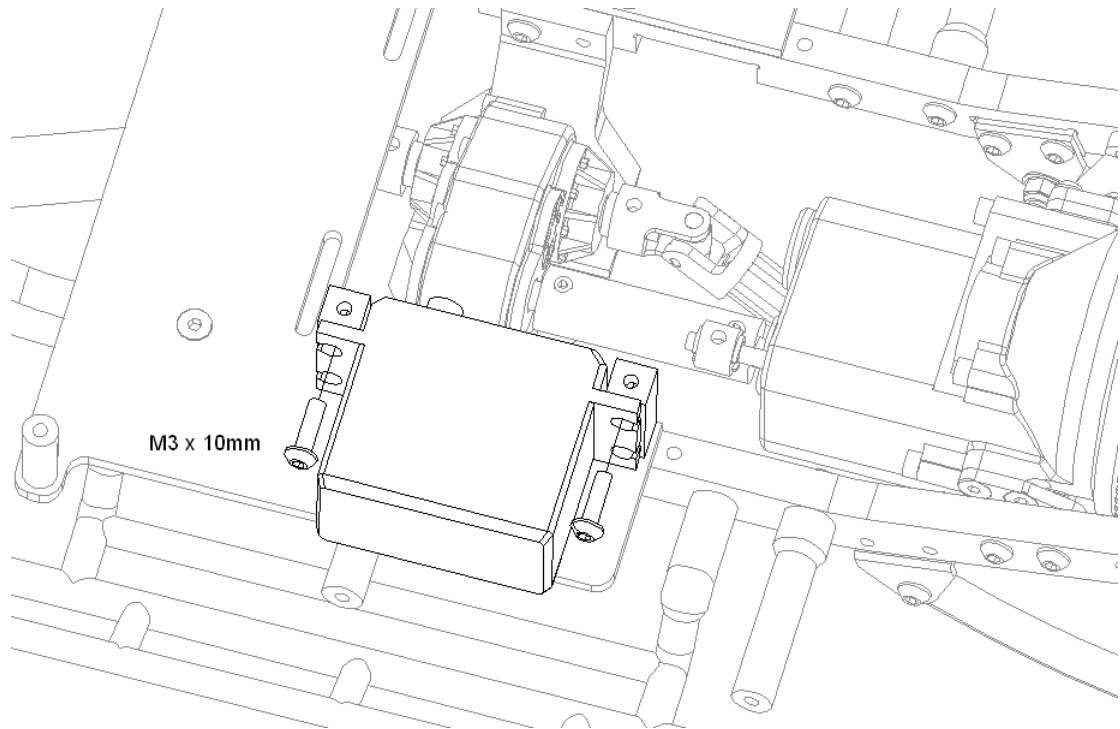
33 \*

**Note: Servos are not included in this kit**

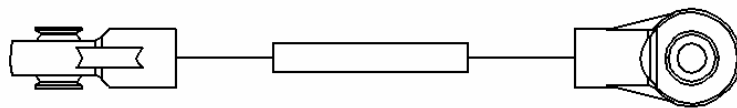




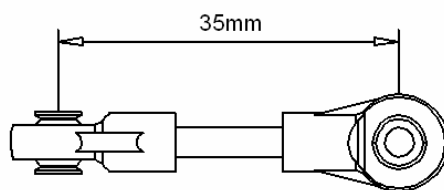
35 \*



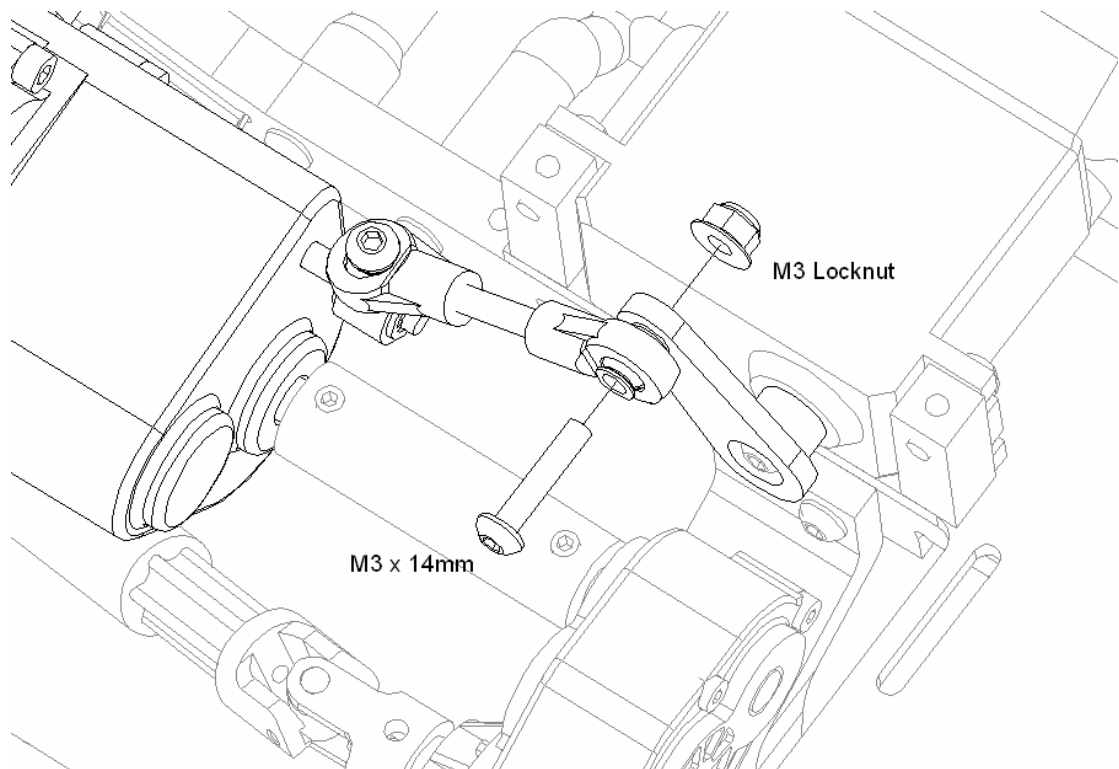
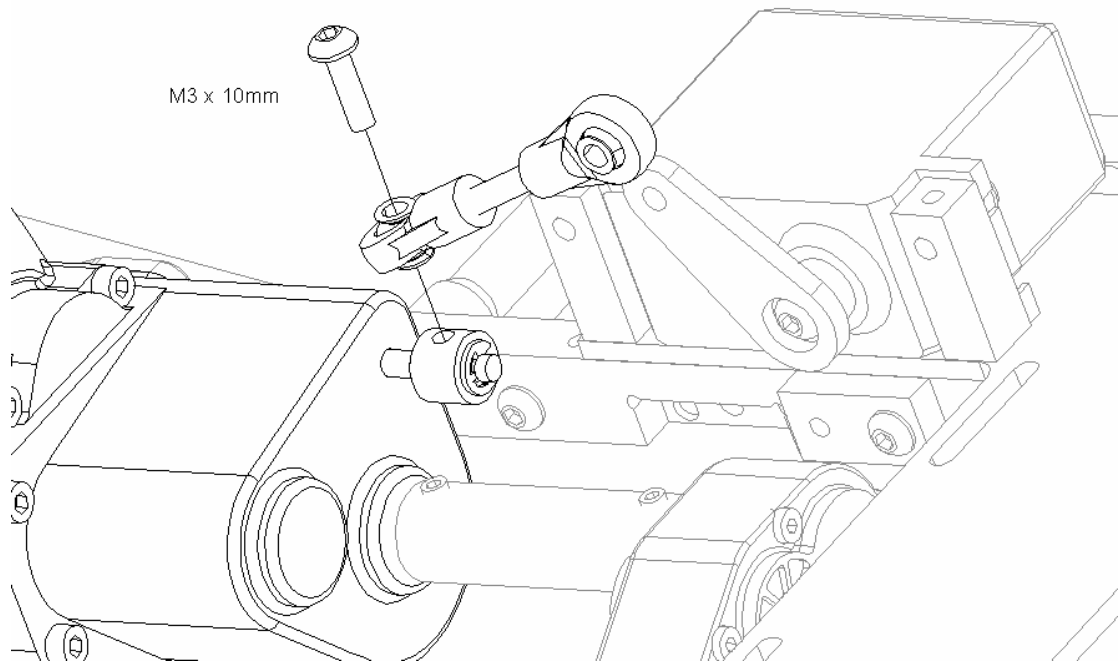
36



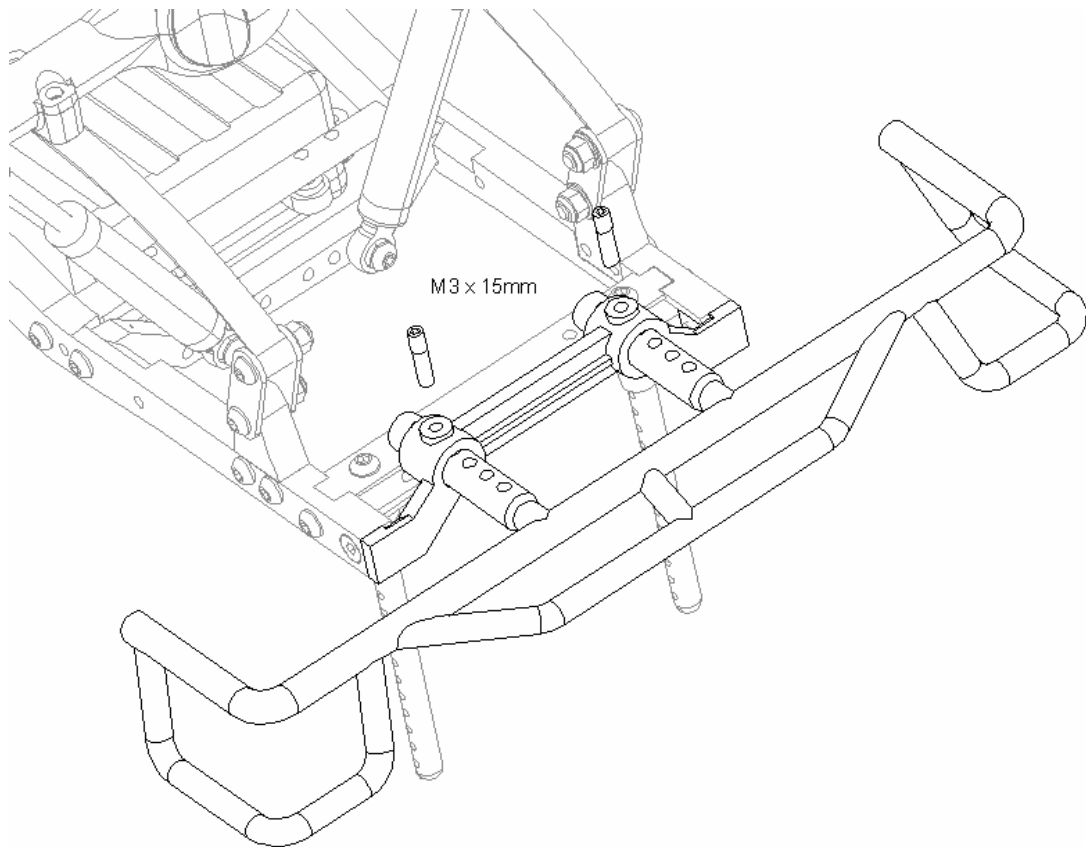
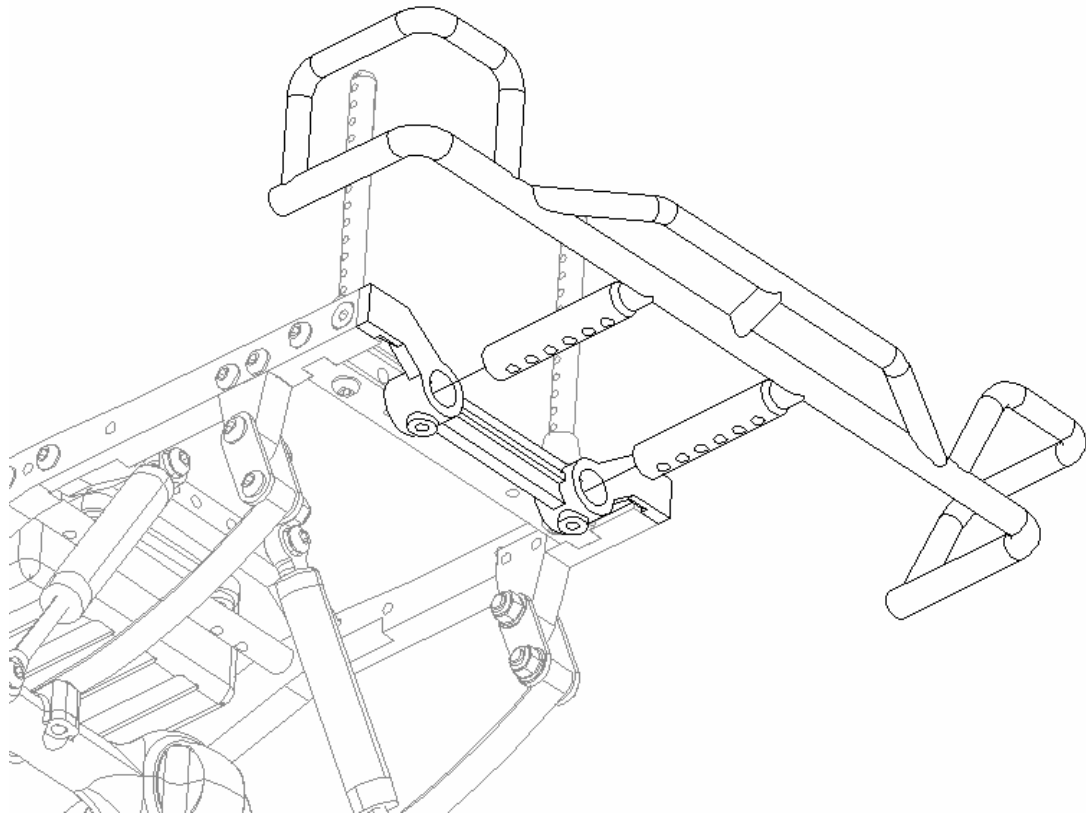
M3 x 20mm  
threaded rod



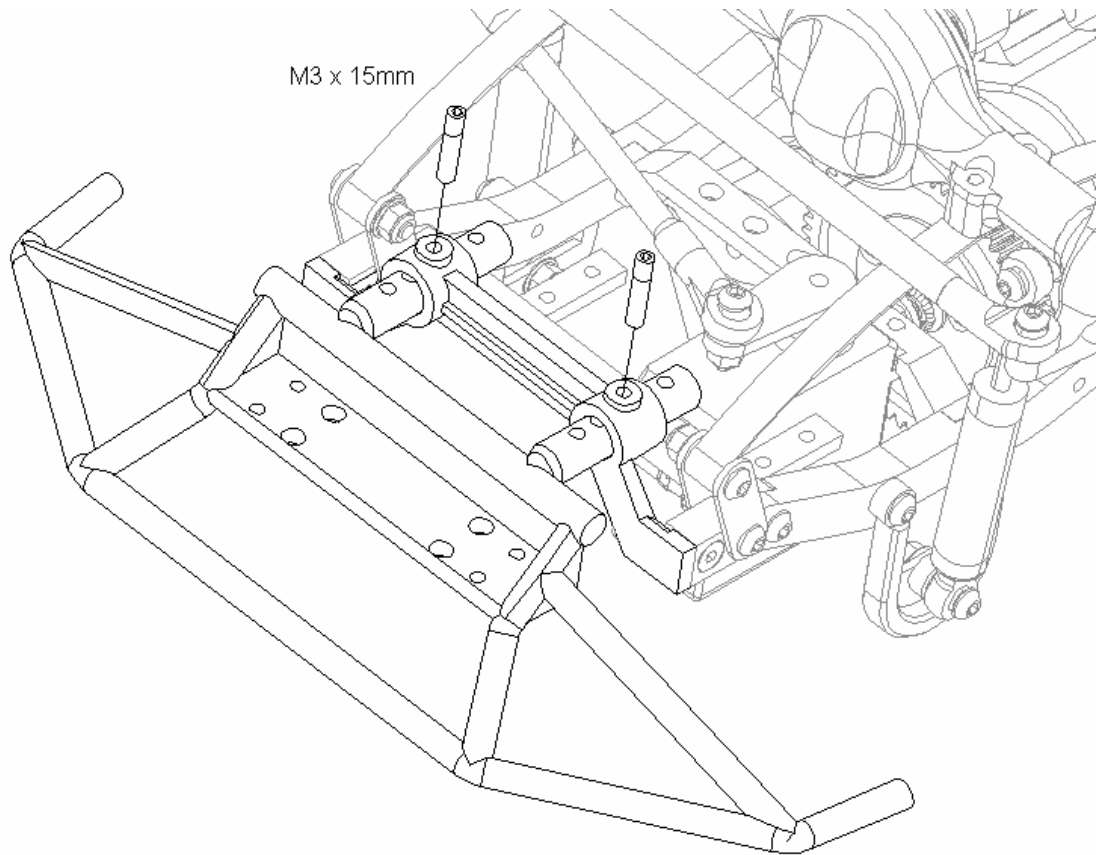
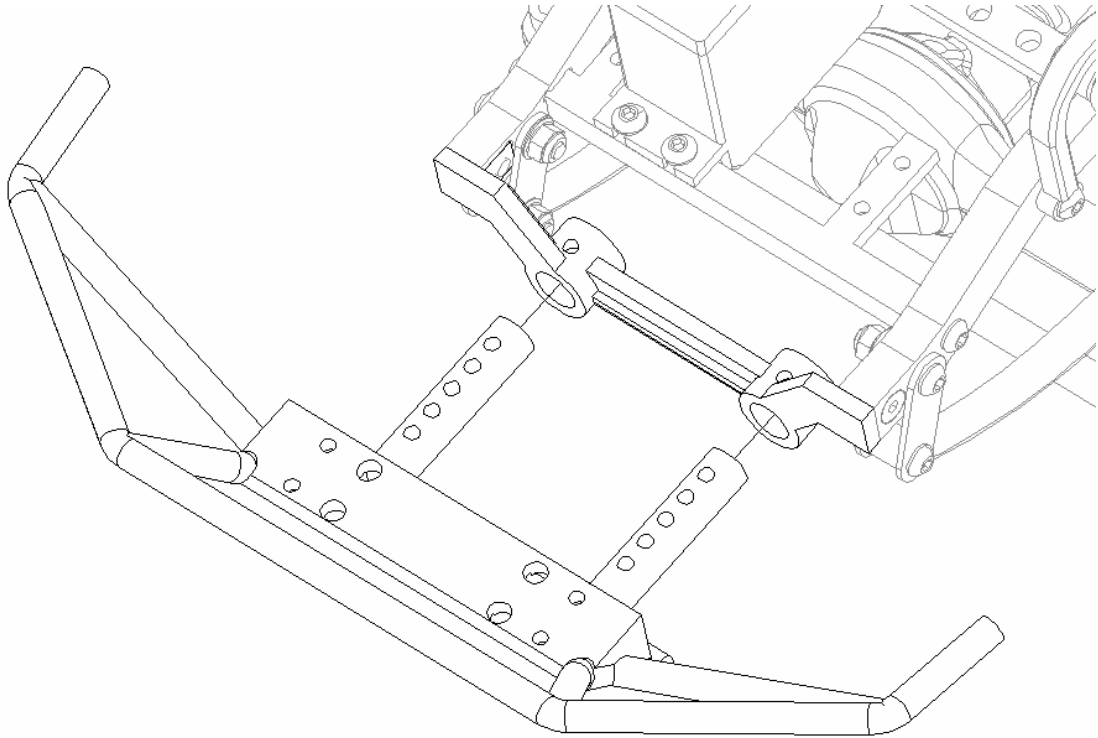
37 \*



## 38 Optional Tube Bumpers

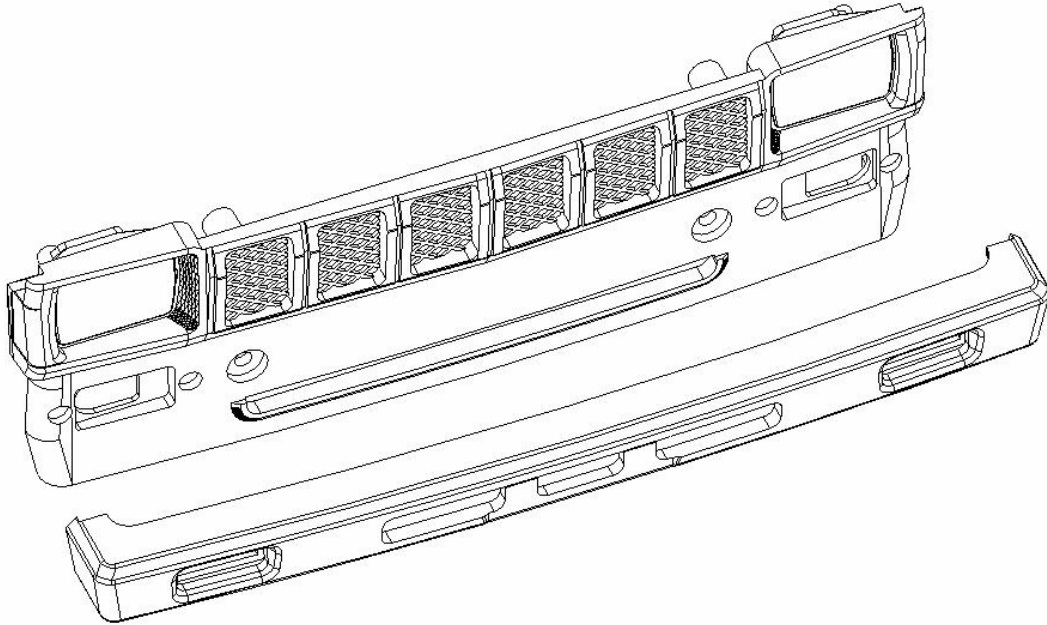


39

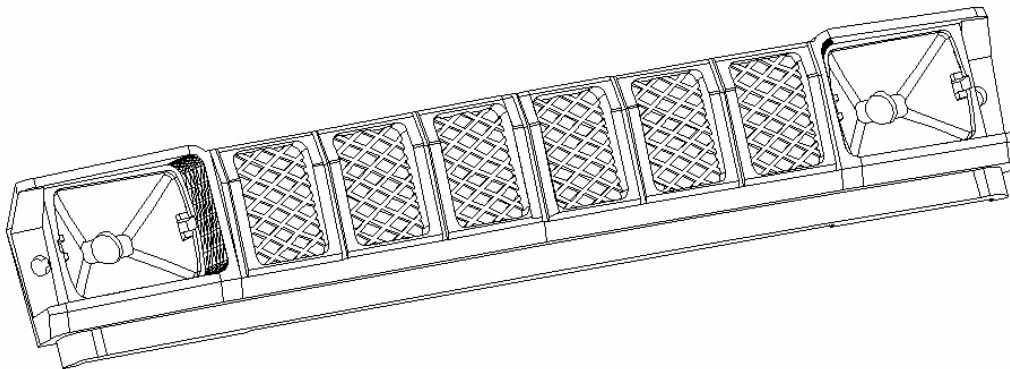


**NOTE:**

The Mojave body bumper will need to be removed when using the optional front tube bumper.

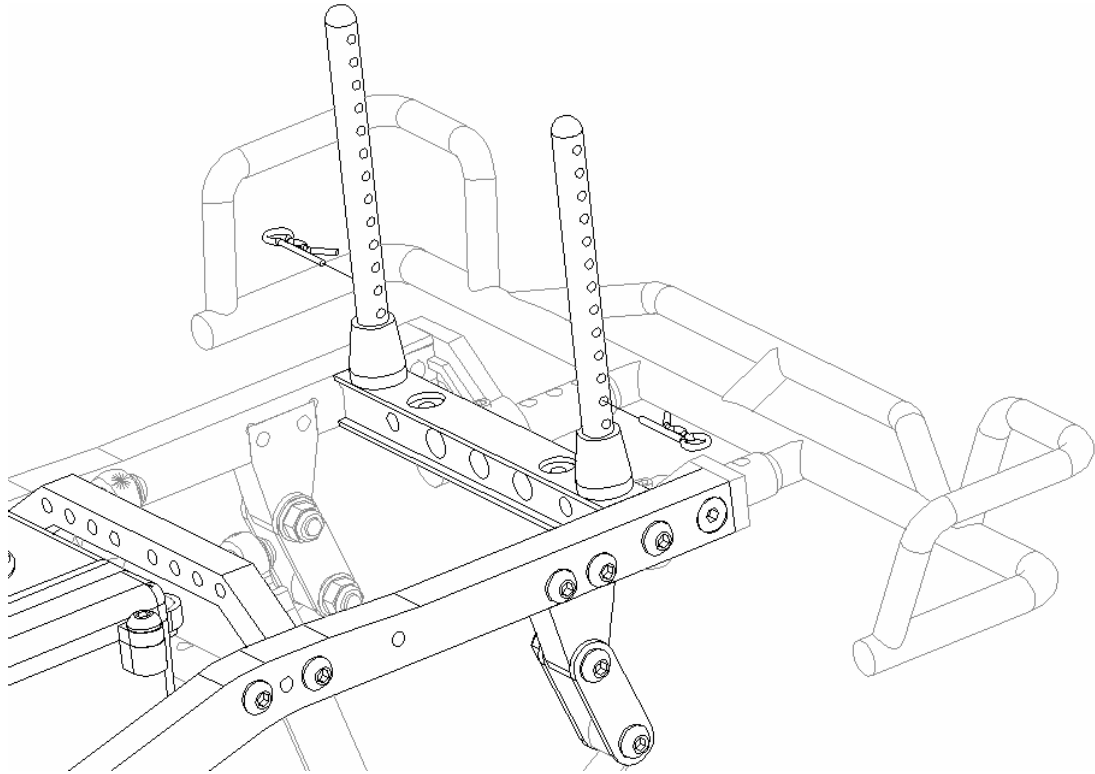


The bottom half of the grill can be cut off to give a more authentic crawler look to the truck. The front fenders would also need to be cut accordingly.



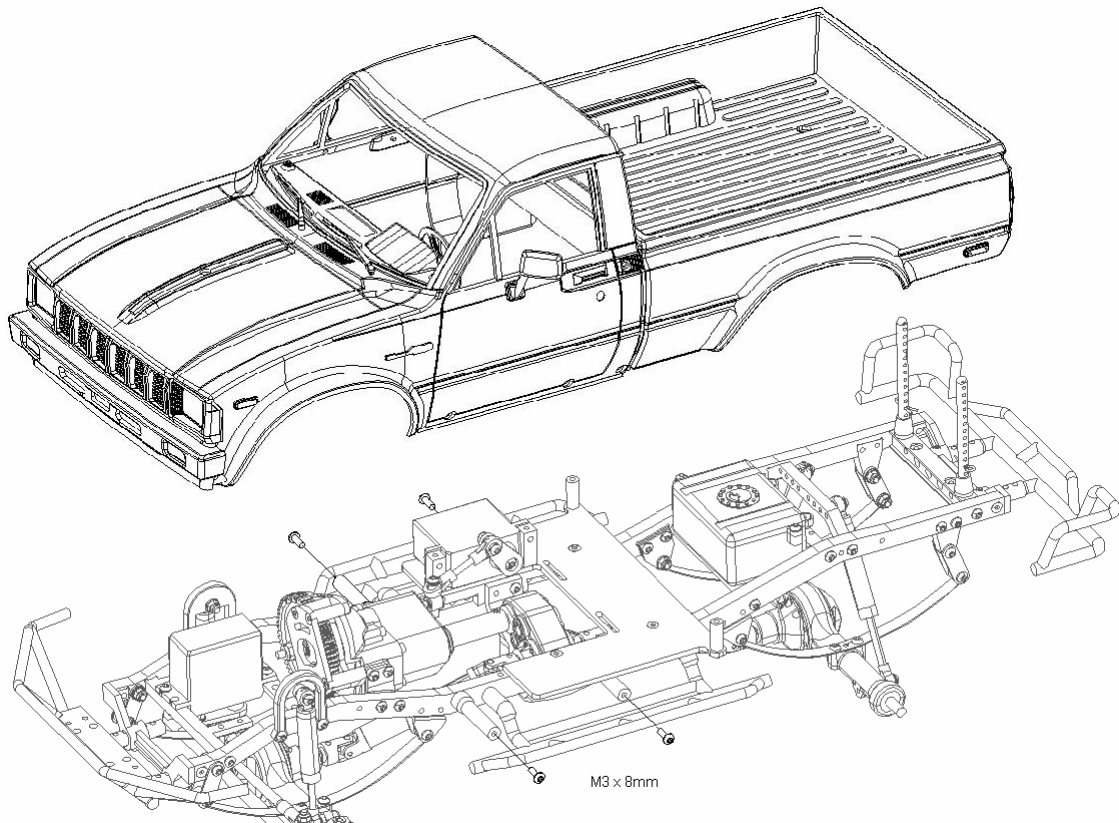


40



41

**Note: body will need to be assembled prior to fitting. See Mojave body assembly instructions**





## Spare Parts

Z-S0619 TF2 Parts Bag A  
Z-S0620 TF2 Parts Bag D  
Z-S0591 TF2 Hardware Bag C  
Z-B0029 TF2 Plastic Body Posts  
Z-S0592 TF2 Fuel Cell Radio Box  
Z-S0593 TF2 Bumper Mounts  
Z-S0594 TF2 Front Tube Bumper  
Z-S0595 TF2 Rear Tube Bumper  
Z-S0596 TF2 Side Sliders  
Z-S0597 TF2 Shock Hoops  
Z-S0598 TF2 Tcase Mounts  
Z-C0018 TF2 Chassis Set  
Z-U0024 TF2 Scale Transfer Case  
Z-U0025 TF2 Scale 2 speed Transmission  
Z-S0599 TF2 Metal Drive Coupling  
Z-S0600 TF2 2mm Spacers  
Z-S0601 TF2 Yota Steering Links  
Z-S0602 4mm Hex Set  
Z-A0058 Yota Front Axle  
Z-A0061 Yota Rear Axle  
Z-S0027 Yota 1/10 Axle Ring & Pinion Gears  
Z-D0004 The Ultimate Scale Shocks 80mm (Silver)  
Z-D0001 The Ultimate Scale Shocks 100mm (Silver)  
Z-S0518 Soft Steel Leaf Springs  
Z-S0275 Leaf Spring Shoulder Screws (Black)  
Z-S0047 Leaf Shackles (Black)  
Z-S0582 Short Driveshaft  
Z-S0583 Long Driveshaft  
Z-W0035 1.55 Steel OEM Wheels (White)  
Z-S0398 Plastic Mini Rod End  
Z-S0401 Plastic Offset Rod End  
Thrashers1.5 Mud Thrashers 1.55 Scale Tires

## Recommended Equipment

Z-E0012 Mayhem High Torque Servo  
Z-R0006 RC4WD XR4 4-Channel 2.4 GHz Transmitter/Receiver  
Z-S0182 Heavy Duty Metal Servo Arm for Futaba Type Servo (Black)  
Z-E0033 Servo Extension Wire 200mm





## Optional Parts

Z-S0603 TF2 Rear 4 Link Kit

Z-S0342 XVD for Yota Axle

Z-S0068 U-Bolt kit for Yota Axles

Z-S0196 Yota Locking Hub Nuts

Z-S0194 Front Locking hub nuts

Z-S0175 Rear Hub nuts

Z-S0570 Red Super Soft Leaf Springs

Z-S0225 Shooter Shackles (Black)

Z-S0250 T-Box Shackle

Z-A0049 K44 Scale Rear Axle

Z-A0048 K44 Scale Front Axle

Z-D0011 Dual Spring 100mm Scale Black Shocks

Z-T0058 Mickey Thompson 1.55 Baja MTZ Scale Tires

Z-T0064 Mickey Thompson 1.55 Baja Claw TTC Scale Tires (pair)

Z-T0056 Interco IROK 1.55 Scale Tires

Z-E0021 Bulldog 9300XT Scale Winch (Gun Metal)

