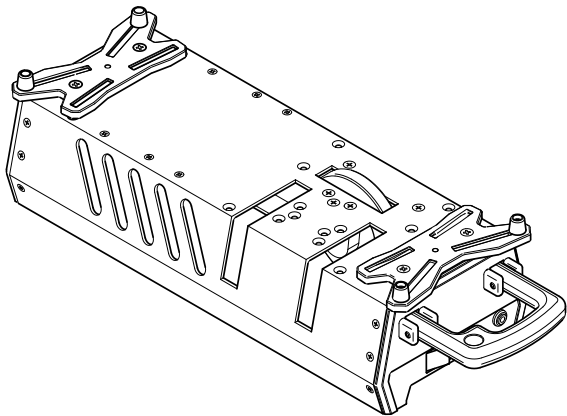




Universal High-Torque Starter Box

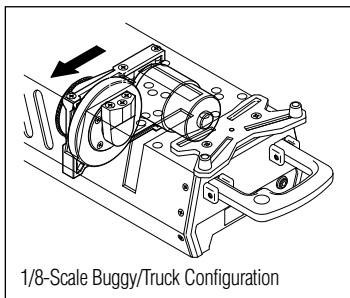
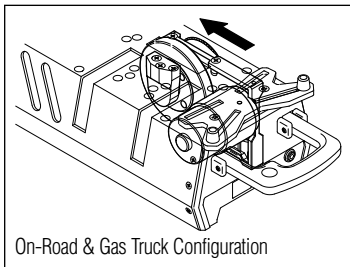


The Quick Fire Starter Box is powered by your choice of a 12-volt battery source or two 6-cell 7.2-volt battery packs (not included). A high-torque 775 series motor ensures enough power to turn over any size nitro engine. Matched is a state-of-the-art, direct-drive, single belt system, and durable high-impact rubber starting wheel.

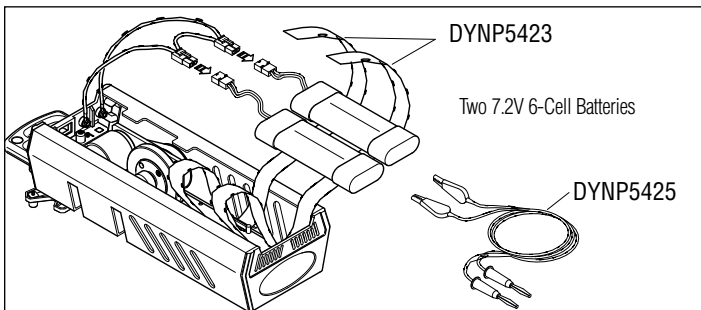
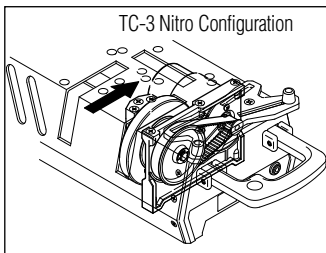
The Quick Fire Starter Box is made from the finest materials that guarantee the highest quality and performance. The anodized aluminum housing is designed to give superior strength in a lightweight trick-looking package. The end caps and carrying handle are made of durable, high-impact nylon composite. The LED power switch is highly visible and easy to operate in all indoor and outdoor conditions.

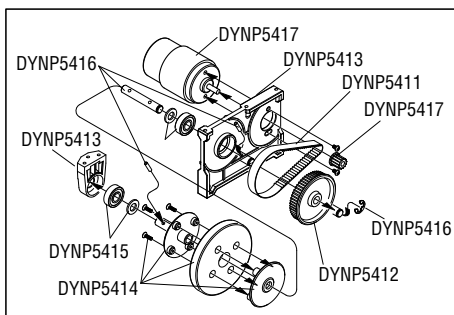
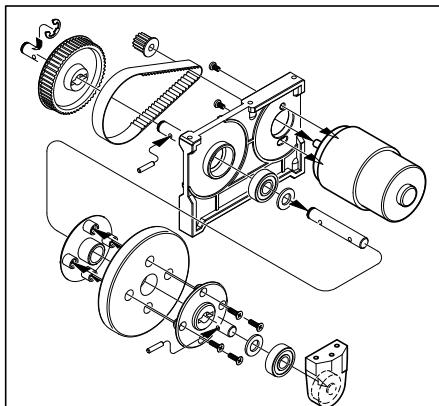
Specifications

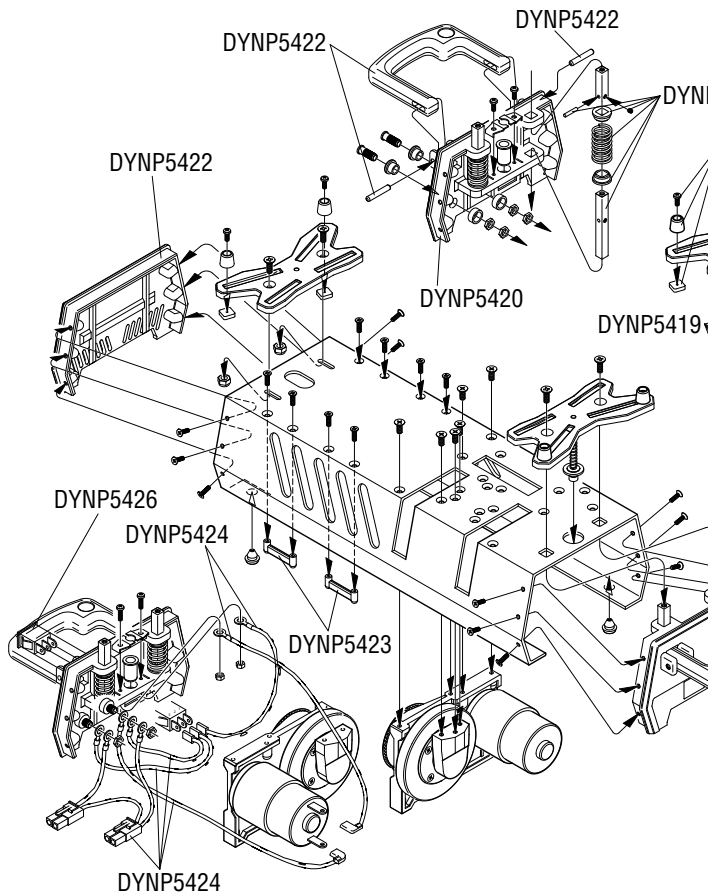
- High-Torque 775 series motor
- Starting wheel is made of durable high-impact rubber with low wear and long life
- Trick anodized aluminum housing for superior strength and light weight
- LED power switch lights up when power source is on
- Designed for optional DC power sources: 12V battery or dual 6-cell 7.2V battery packs
- Tough, locking carrying handle
- L=420mm, W=148mm, H=105mm



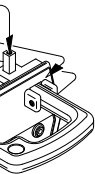
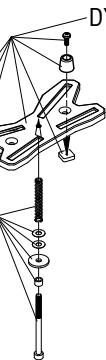
Starter Box Setup







P5419



Part Number

Description

DYNP5411	Drive Belt
DYNP5412	Pulley (56T)
DYNP5413	Motor Bulkhead
DYNP5414	Rubber Starter Wheel Set
DYNP5415	Bearing Set
DYNP5416	Center Shaft Set
DYNP5417	Starter Motor Set
DYNP5418	Chassis Bracket Set
DYNP5419	Metal Parts Set
DYNP5420	Side Cover / Handle Set
DYNP5421	Side Cover
DYNP5422	Handle
DYNP5423	Battery Holder Set
DYNP5424	Wire Set
DYNP5425	Jack Set
DYNP5426	LED Switch

Limited Warranty Period

Horizon Hobby, Inc. guarantees this product to be free from defects in both material and workmanship at the date of purchase.

Limited Warranty & Limits of Liability

Pursuant to this Limited Warranty, Horizon Hobby, Inc. will, at its option, (i) repair or (ii) replace, any product determined by Horizon Hobby, Inc. to be defective.

In the event of a defect, these are your exclusive remedies.

This warranty does not cover cosmetic damage or damage due to acts of God, accident, misuse, abuse, negligence, commercial use, or modification of or to any part of the product. This warranty does not cover damage due to improper installation, operation, maintenance, or attempted repair by anyone other than an authorized Horizon Hobby, Inc. service center. This warranty is limited to the original purchaser and is not transferable. In no case shall Horizon Hobby's liability exceed the original cost of the purchased product and will not cover consequential, incidental or collateral damage. Horizon Hobby, Inc. reserves the right to inspect any and all equipment involved in a warranty claim. Repair or replacement decisions are at the sole discretion of Horizon Hobby, Inc. Further, Horizon Hobby reserves the right to change or modify this warranty without notice. REPAIR OR REPLACEMENT AS PROVIDED UNDER THIS WARRANTY IS THE EXCLUSIVE REMEDY OF THE CONSUMER. HORIZON HOBBY, INC. SHALL NOT BE LIABLE FOR ANY INCIDENTAL OR CONSEQUENTIAL DAMAGES.

As Horizon Hobby, Inc. has no control over use, setup, final assembly, modification or misuse, no liability shall be assumed nor accepted for any resulting damage or injury. By the act of use, setup or assembly, the user accepts all resulting liability.

If you as the purchaser or user are not prepared to accept the liability associated with the use of this product, you are advised to return this product immediately in new and unused condition to the place of purchase.

Safety Precautions

This is a sophisticated hobby product and not a toy. It must be operated with caution and common sense and requires some basic mechanical ability. Failure to operate this product in a safe and responsible manner could result in injury or damage to the product or other property. **This product is not intended for use by children without direct adult supervision.**

The product manual contains instructions for safety, operation and maintenance. It is essential to read and follow all the instructions and warnings in the manual, prior to assembly, setup or use, in order to operate correctly and avoid damage or injury.

Questions, Assistance, and Repairs

Your local hobby store and/or place of purchase cannot provide warranty support or repair. Once assembly, setup or use of the product has been started, you must contact Horizon Hobby, Inc. directly. This will enable Horizon to better answer your questions and service you in the event that you may need any assistance.

Questions or Assistance

For questions or assistance, please direct your email to productsupport@horizonhobby.com, or call 877.504.0233 toll free to speak to a service technician.

Inspection or Repairs

If your product needs to be inspected or repaired, please call for a Return Merchandise Authorization (RMA). Pack the product securely using a shipping carton. Please note that original boxes may be included, but are not designed to withstand the rigors of shipping without additional protection. Ship via a carrier that provides tracking and insurance for lost or damaged parcels, as Horizon Hobby, Inc. is not responsible for merchandise until it arrives and is accepted at our facility. Include your complete name, address, phone number where you can be reached during business days, RMA number, and a brief summary of the problem. Be sure your name, address, and RMA number are clearly written on the shipping carton.

Warranty Inspection and Repairs

To receive warranty service, you must include your original sales receipt verifying the proof-of-purchase date. Providing warranty conditions have been met, your product will be repaired or replaced free of charge. Repair or replacement decisions are at the sole discretion of Horizon Hobby.

Non-Warranty Repairs

Should your repair not be covered by warranty and the expense exceeds 50% of the retail purchase cost, you will be provided with an estimate advising you of your options. You will be billed for any return freight for non-warranty repairs. Please advise us of your preferred method of payment. Horizon Hobby accepts money orders and cashiers checks, as well as Visa, MasterCard, American Express, and Discover cards. If you choose to pay by credit card, please include your credit card number and expiration date. Any repair left unpaid or unclaimed after 90 days will be considered abandoned and will be disposed of accordingly.

Electronics and engines requiring inspection or repair should be shipped to the following address (freight prepaid):

Horizon Service Center
4105 Fieldstone Road
Champaign, Illinois 61822

All other products requiring inspection or repair should be shipped to the following address (freight prepaid):

Horizon Product Support
4105 Fieldstone Road
Champaign, Illinois 61822



© 2006 Horizon Hobby, Inc.
The Quick Fire Starter Box is manufactured in
Taiwan and distributed worldwide by:

Horizon Hobby, Inc.
4105 Fieldstone Rd.
Champaign, IL 61822
www.horizonhobby.com